

THE NEW DIMENSION IN EFFICIENCY.

BOMAG COLD PLANERS BM 1000/35, BM 1200/35, BM 1300/35
WITH CHANGED SWIVELLING MECHANISM



MILLIONS OF KILOMETRES BEAR OUR SIGNATURE.

You build the finest roads so we can all move forward faster. And to ensure that you can progress faster, we build the best machines. As a member of the leading international FAYAT group, we supply machines for all areas of road construction – from soil compactors to cold planers and recyclers, from asphalt rollers to road pavers. For over 60 years, the history of our company has been synonymous with the history of road construction.

With our accumulated know-how, we are an innovation driver that sets the pace for an entire industry. BOMAG has developed a huge number of technologies, from systems for measuring and controlling compaction, such as ECONOMIZER and ASPHALT MANAGER, to technologies for reducing operating costs, such as ECOMODE and the most effective screed

heating in the market: MAGMALIFE. We offer solutions for a wide range of applications.

Our global network of experts and partners in over 120 countries is there to support you, from the configuration of the machines to providing solutions for the most challenging of tasks.

We owe our innovative strength to our more than 2,500 employees worldwide, their commitment and their unique wealth of experience. A source of know-how which has propelled us to worldwide market leadership in this sector. The reason for this is our unconditional commitment to quality: in product development and production, in the qualification of our employees, and in a service that guarantees optimal on-site support.





THE FUTURE OF COLD PLANING HAS JUST BEGUN.



BOMAG has successfully developed a wide product range of innovative cold planers from the compact model with a working width of 500 mm up to the 600 HP planer with a working width of 2,200 mm. In the key areas of maintenance and milling technology BOMAG has already established new technical standards.

VERSATILITY THROUGH HIGH FLEXIBILITY

The individual model types, on the other hand, enable wide utilisation with their high flexibility. Their manoeuvrability and compact design means these planers are

suitable for targeted removal of road and floor pavements under confined conditions, but also on country and arterial roads. On trench work wear, binder and bearing courses can be removed in one pass. And in addition, BOMAG cold planers feature above average working depths of 330 mm in one cut, with perfect, clean edges. This flexibility and the high level of machine availability are perfectly complemented by the BOMAG service network, which is based on strong partnerships and which can provide inspections, checks or individual on-site consultation by a BOMAG specialist.



BM 1300/35

BM 2000/60

BM 2200/60

POWER CONVERTS TO MAXIMUM PRODUCTIVITY

Wherever BOMAG planers are used, they deliver unbeatable productivity. This is achieved by a carefully optimized power chain: high engine power is transferred to the milling drum without loss. Rotor and travel speeds are automatically adapted to each other, specifically for the job conditions. The innovative design of the milling drum, tool holder system and cutting tools ensures maximum transfer of forces into the asphalt. They really do their job!

ERGONOMIC OPERATION AND EASY MAINTENANCE

On BOMAG cold planers the driver sits protected against dust, noise and vibration, with a perfect view over the site, cutting edge and haulage truck. The clearly arranged controls can be easily and readily operated. Thanks to an intelligent maintenance concept, service work can be performed with a flick of the wrist. BOMAG has made sure the operator can just concentrate on what's important. Tidy, fast and efficient work.

EFFICIENCY ALL AROUND.

SIMPLE TRANSPORTATION

The standard hydraulically folding conveyor belt minimizes the effort of transportation.

MOBILITY AND EXTENDED REACH

The long, height adjustable conveyor belt can be pivoted by 45 degrees to either side. This ensures high flexibility in combination with the truck.

SERVICE ORIENTATION

Inner and outer conveyor belts can be rapidly disassembled and eases service work on the conveyor belts.

CLEAN, QUIET, AND CLEAR LAYOUTS

Dust extraction is through a hose with enlarged cross-section and reduced suction speed. This results in less working noise, and only picks up fine dust for unrestricted vision on the driver side.

GUARANTEED RUSTPROOFING

A large plastic water tank provides guaranteed rust-free water and prolongs the life of pumps, filters, etc.



POWER FOR MORE PRODUCTIVITY

350 PS engine power makes this the highest performance planer in its class. The optimized geometry of the milling drum, the low resistance profile of the exchange tool holders and smart material transportation deliver maximum productivity.

PRODUCTIVITY THROUGH ERGONOMICS

A fully vibration insulated work place for comfortable, fatigue-free working plus swivel seat, a perfect view to the milling edge and over the entire site. An easy to understand operating concept for fast, high-quality work.

INTEGRATED LONGEVITY

Components with external filtration and cooling ensure safe temperature management and long life. Excellent access is provided to all central service points.



STABILITY AND SPEED

Extended crawler tracks improve traction and stability in combination with low wear. 50% higher transport speed (7.5 km/h) reduces unproductive downtime.

AND FOR THE OPERATOR...

A fully enclosed and noise insulated engine compartment. Waste air and exhaust fumes are vented without obstructing the driver and operating noise is dampened.



The long hydraulically folding loading belt is standard on BOMAG planers.



Simple selection of milling drum speeds “ECO/Torque”, “UNIVERSAL”, “SPEED” via a 3-stage switch: excellent utilization of torque and power means higher productivity, reduced consumption and less wear.

HIGH PERFORMANCE – ROBUST DESIGN.

Powerful high-torque engines make BOMAG planers masters of their class. With the high efficiency of the milling drum, the energy base needed for high milling power is formed. The drives feature excellent fuel economy and are, above all, extremely quiet, made possible by state-of-the-art engine technology. Effective noise insulation contributes to eliminating work fatigue for the driver. BOMAG planers meet stringent exhaust fume standards to EU Stage IV / US Tier 4 final. For use in countries with diesel fuel rich in sulphur, a robust engine model to Tier 3 is available.

ALWAYS THE RIGHT TORQUE

Using a control on the front panel the driver can change between three application-specific settings for the milling speed. Set for the required milling depth, the milling drum thus always works in the optimum torque range. At the same time, the travel speed is automatically maximized and also gives the best surface quality, fastest possible work rate and minimized wear.

DESIGNED FOR A LONG LIFE

Each BOMAG planer inherits decades of experience of globally successful design engineers in road construction equipment. From the overall design con-

cept to the smallest detail, the goal is longevity and precision. One of the basic features is tanks for water, diesel, and oil which are not welded to the frame. This reduces mechanical loads and makes tanks easy to replace. Just one example of the long-life design principle at BOMAG.

WELL DESIGNED DETAILS

These planers are equipped with a powerful conveyor belt that can be pivoted by 45 degrees to left and right. Both inner and outer conveyor belts are very robust and maintenance-friendly, for quick disassembly. For machine transportation, the conveyor belt can be hydraulically folded in as standard.



External cooling systems are easily accessible and maintenance-friendly.



With external cooling and filtration of gear oil, the milling gear is highly robust.

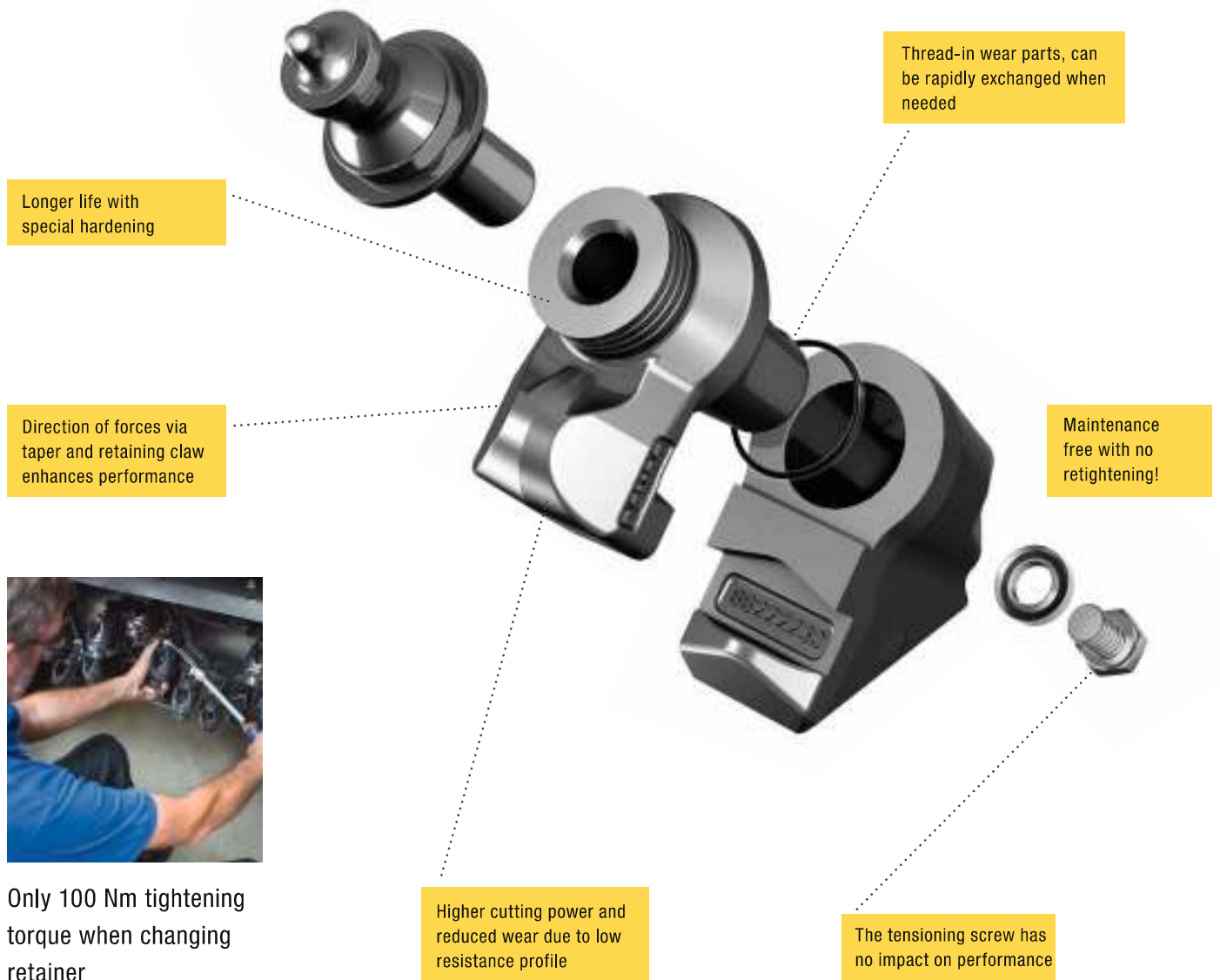


Crawler tracks and lift posts are of solid design. The extra diameter of these posts reduces area contact pressures and prolongs the life of the guides.

THE PERFECT TOOLS.

BMS 15 - POWERFUL AND LONG-LIFE OPTIMIZED MILLING

Each detail of the milling drum and tool holder system contributes to the superior productivity of BOMAG planers: the optimised conversion of engine power into milling energy maximizes output. The extended life of all components cuts operating costs, whilst long service intervals and low maintenance boosts machine availability. The result: a long service life for high performance milling.

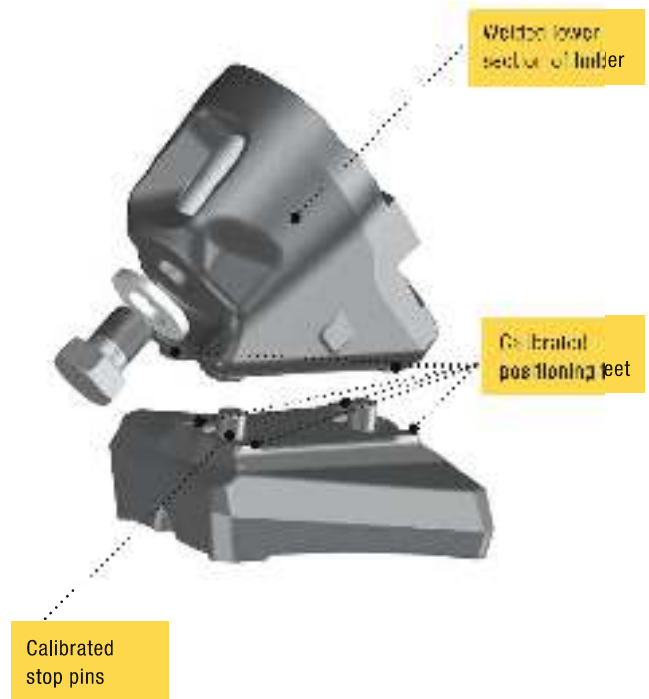


LONG LIFE – QUICK CHANGE-OVERS

A complete change of tool holders requires only about 25% of the time needed with conventional systems! Time saved which is directly converted into increased machine availability.

**BMS 15 - QUICK AND PRECISE REPOSITIONING
THE BASE HOLDER**

Milling of, for example, tough covered railway tracks may cause damage to the exchangeable upper holder or the welded lower holder parts. With conventional units, this means long machine downtime. Not with BOMAG. On site, the holders can be cut out so that the calibrated positioning feet are not damaged. The new holder is simply plugged in and then welded, giving the same precision as the original. This ensures continued even wear and increases the overall life of cutting tools, holder system and the milling drum.

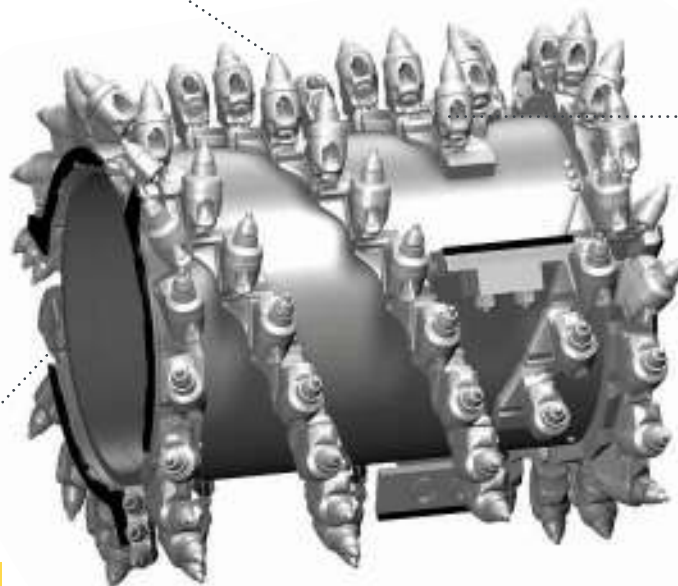


QUALITY WITH HARDENED MATERIAL

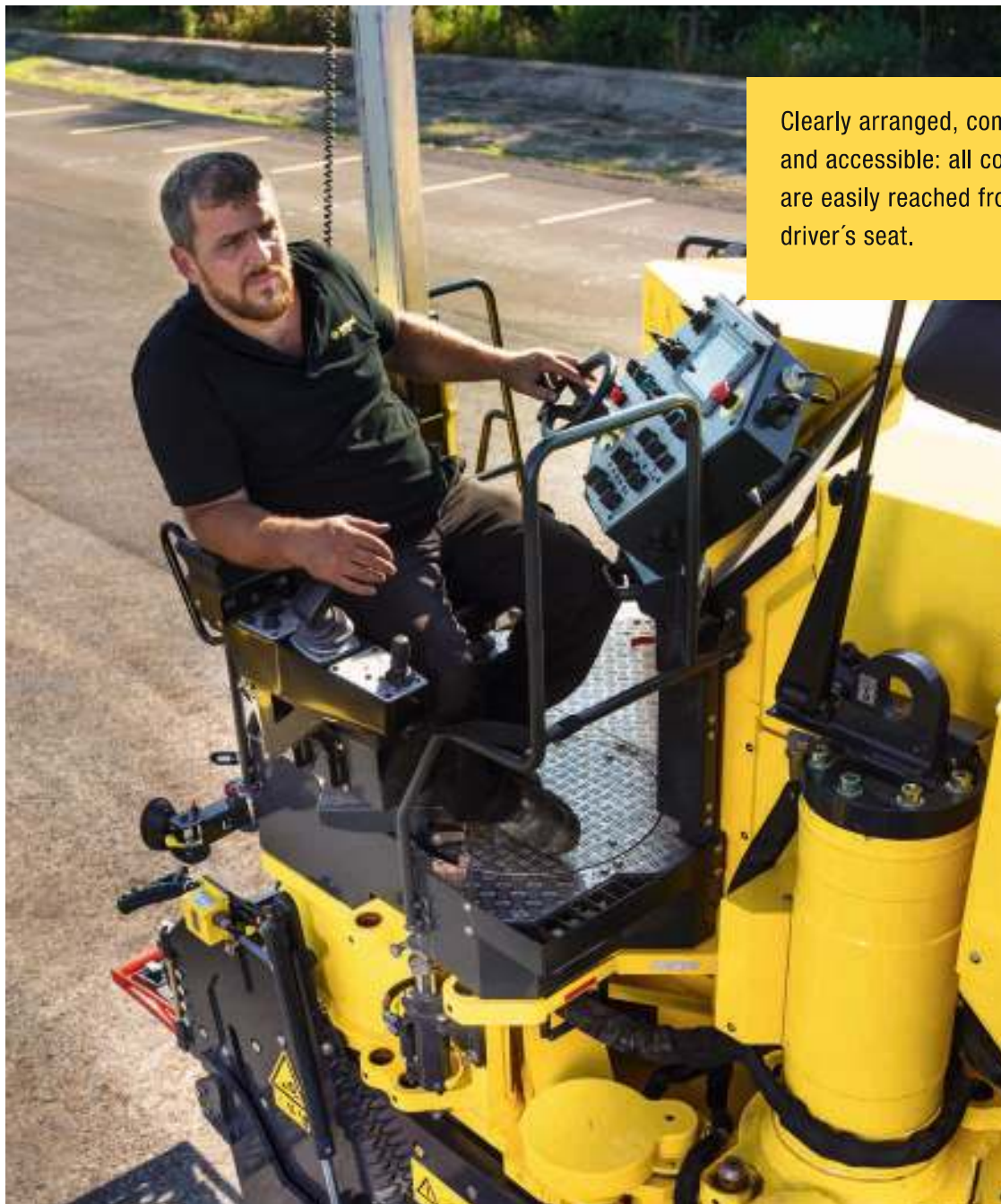
The optimized arrangement of the holders on the milling drum is the key to the superior milling quality and high efficiency of BOMAG planers. The design, which has been perfected through years of research, ensures best rotor performance and low wear. With an innovative quick-release system, the milling drum can be quickly and safely exchanged. And the milling depth capability of 330 mm is a highly valued feature too.

The bottom part of the holder is identical on all tools. This simplifies storage of spare parts and on site the correct part is always available.

Easy access to knock out tools from the edges speeds up tool changes. The planer is quickly ready for operation again.



The loaded edge is protected by hardened chromium-carbide wear strips.



Clearly arranged, compact and accessible: all controls are easily reached from the driver's seat.



Jump on and go! Easily understood and ergonomic operation saves on training costs, speeds up work and avoids operator error.



Foot well and seat heating ensure a safe and comfortable working environment, even in extreme conditions.

A MOTIVATIONAL WORK STATION.

FULL CONTROL WHEN SEATED – QUALITY CONTROL INCLUDED

On BOMAG planers, the operator does all work comfortably and quickly, whilst safely seated. The swivel seat, which can be slewed 45 degrees, provides the best possible view of the haul track, milling edge and milled material. The waisted shape design means the driver can always keep an eye on the crawler track. The narrow rear end gives total quality control while seated.

FATIGUE-FREE WORKING

The operator platform is completely isolated from vibration which protects the driver and allows long, fatigue-free work shifts. The low noise emissions and obstruction-free venting of exhaust fumes and waste heat also add to productive and comfortable working conditions.

INTUITIVE OPERATION

With an intuitive operating concept, BOMAG fosters safe and efficient daily work. A clearly designed control panel supports the driver with automatic functions and operating aids.

A WELL-MOTIVATED DRIVER PRODUCES HIGHER OUTPUT. A BOMAG OPERATOR GAINS FROM:

- an ergonomically-designed seated work station
- low noise level
- minimized vibration
- ideal vision
- clearly arranged controls

It all fits together at the end of a work day: speed and quality of milling and the well-being of the driver.



High lateral adjustment and excellent vision from the driver's seat for close-up work near obstacles, saving costly manual rework.

MAINTENANCE: EASY AND FAST.

LOW MAINTENANCE IS A BOMAG DESIGN PRINCIPLE

Longevity and low maintenance are two essential design principles at BOMAG. Implemented in the smallest details, reducing service costs and non-productive time to the minimum.

IN THE RIGHT PLACE

With BOMAG all components for servicing are well positioned and freely accessible. This applies to tanks, service points in the engine compartment and work on the milling drum.



The power belt cover is divided into two parts for servicing by one person.



The engine oil level can be checked quickly.



The water system can be accessed easily and, due to the clearly arranged components, is quick to service.



A quick-change air filter.



Highly visible markings on service points



Easy to detach anti-theft protection



The tool-cooling spray bar is reached without tools.



Large stowage compartments for tool boxes close to service locations.



Fast and easy changes of tool holders on the milling drum.



The inner and outer conveyor belts are easily accessible and simple to disassemble. This reduces service times.

EFFICIENCY x AVAILABILITY = PRODUCTIVITY

Investment in construction machinery needs low life cycle costs to make an economically sustainable return. This is exactly the target which is the foundation for any design decision made by BOMAG.

HIGH POWER

With 350 HP engines these BOMAG planers are the most powerful machines in their class. The torque is transferred efficiently to the milling drum by means of variable milling and travel speeds. And all of this with low fuel consumption.

HIGH EFFICIENCY

High engine power only pays if it is effectively converted to milling energy. With BOMAG this is ensured by the drum geometry which has been optimized over years of research plus the low mechanical resistance of the innovative holder systems.

MINIMISING WEAR

Designed with special emphasis on robustness (such as external cooling and filtration of the gear oil) and the use of high quality materials maximises the life of these planers and components. This increases the service life of the machine, and also enhances avail-

ability with longer service intervals. High efficiency with maximum availability. This is BOMAG's key to superior productivity.

ERGONOMICS

For efficiency and quality of work the driver is and remains number 1. Giving him the best possible support is fundamental at BOMAG. Excellent overview, easy access to all controls, safe intuitive operator guidance and high comfort are a few aspects that contribute to maximum daily output.

INTELLIGENT SERVICING

Planers from BOMAG have been designed in the principle of low maintenance, down to the smallest detail. As a result, all service activities, such as changing cuttings tools, require significantly less time. This reduces expensive idle time to a minimum.

OPTIONS. THE CHOICE IS YOURS...

WEATHER PROTECTION ROOF

The large weather protection roof offers optimum protection and does not affect the transport height which can be hydraulically adjusted from the driver's seat. The ball bearing mounting enables easy lateral displacement. The driver can avoid obstructions, but remains protected – ideal for those confined-site conditions.



HIGH PRESSURE CLEANER

The hydraulic high-pressure cleaner makes daily cleaning easier and extends the service life of the planer. Standard delivery includes a high-pressure cleaner, high pressure hose and washing gun.



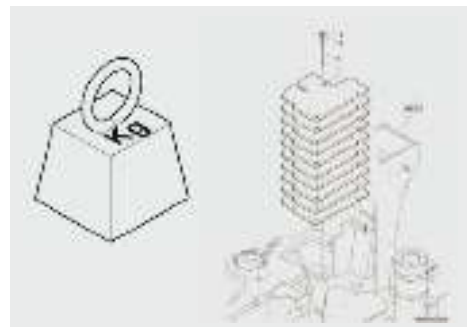
DUST EXTRACTION

With vacuum in the milling box, the dust extraction system makes sure that no fine dust enters the working area of the operator. Thanks to the large diameter of the air line, the system works with a very low air velocity. This makes operation much quieter and maintenance-free, as no stones can be drawn in. The system meets the requirements of the German BG-Bau and the Dutch TNO.



BALLASTING BOMAG

These planers are designed for a total weight of less than 40 t including the truck. In most countries transportation is possible without a special permit. For countries without this limit or to increase stability on particular applications, such as e.g. fine milling, ballasting weights can be mounted inside the frame.



LEVELLING

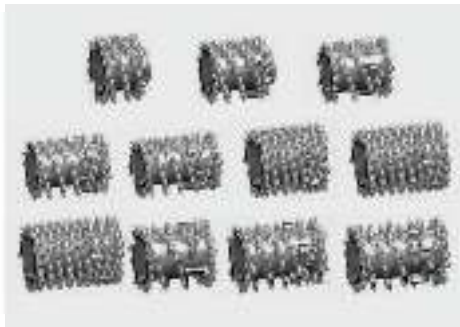
The electronic levelling facility enables automatic copying of surface profiles. The extra-long side doors form an average over minor irregularities and ensure high evenness. The levelling consists of control display, two rope sensors (right and left), the cross-slope sensor and the control.





AUXILIARY DRIVE FOR TOOL CHANGES

With the auxiliary drive for cutting tool changes, the milling drum can be effortlessly and safely moved for maintenance. This speeds up and simplifies tool changes. By simply pressing a button the planer is moved to the service position, so that optimum and safe access is provided.



MILLING DRUMS

From 600 to 1,300 mm working width, from surface and fine milling work to complete removal: With its wide range of high-quality milling drums BOMAG offers the right tool for every application.



CAMERA MONITORING

A monitoring camera at the far end of the conveyor belt shows the loading area of the truck on a display. This eases loading of the truck whilst remaining seated. The display will show pictures from 2 cameras side by side.



SCRAPER

Scrapers for standard working widths (1,000, 1,200, 1,300 mm). When using a milling drum with a working width smaller than the maximum width, a split scraper is available, so that milled material can be readily picked up and loaded.



SERVICE PRODUCTS

Quick service for BOMAG cold planers is carried out by the operator on site or in the workshop using the emergency kit, which contains a range of components (relay, control lever and control switch, a selection of fuses, sensors and pressure switches, potentiometer). Reduces downtimes and related breakdown costs.

APPLICATIONS.



SIDE ROADS: SOLUTIONS ON ASPHALT

With powerful cold planers, the FAYAT Group rounds off its equipment range for asphalt construction. Solutions from one source for milling, road sweeping and paving giving quality and quick finishing.



CITY CENTRES: EASY HANDLING

The ergonomically designed work place with seat offers a perfect overview over the construction site. The significant reduction in operating noise enhances the acceptance of these planers in city centres.



CROSSINGS: FLEXIBLE MATERIAL TRANSPORT

The conveyor belt can be swivelled full 45 degrees to left and right, so the planer reaches the truck on curves and crossings. Manoeuvring is avoided. This saves time and costs.



REPAIR PATCHES:

NO TIME LOST

The long crawler tracks with high traction speed up the planer to a transportation speed of 7.5 km/h. This saves time between repair patches and very often makes low loader transportation unnecessary.



MILLING WITHOUT LOADING:

THE MANOEUVRABLE POWERPACK

The long conveyor belt is hydraulically folding as standard. This not only makes transportation easier, but also increases flexibility and manoeuvrability when milling without loading.



TRENCHES:

MAXIMUM CUTTING DEPTH

No other machine cuts deeper. The milling depth of 330 mm quickly tackles the full asphalt layer. A plus for productivity and a strong argument for the next tender.

PRODUCT OVERVIEW.



BM 500/15

150 HP CLASS

BM 600/15

150 HP CLASS

BM 1000/35

350 HP CLASS

Milling width [mm]	500	600	1,000
Weight [kg]	6,700–8,400	6,800–8,500	21,500–25,500
Milling depth [mm]	0–210	0–210	0–330

MILLING DRUMS FOR BM 1000/35 BIS 1300/35



Milling drum
600

Milling drum
900

Milling drum
1000

Milling drum
1200

Milling drum
1300

Milling width [mm]	600	900	1,000	1,200	1,300
Line distance [mm]	15	15	15	15	15
Milling depth [mm]	0–220	0–220	0–330	0–330	0–330
Number of milling cutters [pcs]	80	96	99	115	121



BM 1200/35

BM 1300/35

BM 2000/60

BM 2200/60

350 HP CLASS

350 HP CLASS

600 HP CLASS

600 HP CLASS

1,200

1,300

2,000

2,200

22,500–26,500

22,700–26,700

28,100–32,500

29,100 – 33,500

0–330

0–330

0–320

0–320



Fine
milling drum
1000

Fine
milling drum
1200

Fine
milling drum
1300

Power
Drum
1000

Power
Drum
1200

Power
Drum
1300

1,000

1,200

1,300

1,000

1,200

1,300

8

8

8

22

22

22

0–50

0–50

0–50

0–330

0–330

0–330

149

173

185

83

91

92



ON ASPHALT WE ARE AT HOME.

As the world-wide expert in road construction equipment and compaction technology, we understand all the methods and work sequences in road construction. We know what counts on site for client, contractor and driver. We are continually extending our product range of cold planers. Together with compactors, recyclers and pavers, cold planing is a core expertise of BOMAG. Over the complete field

of asphalt construction we offer system solutions with high-quality machines from one source. Our machines have huge power and to ensure this is converted to maximum productivity we invest in optimising our milling drums, holder systems and cutting tools. And to keep our machines running around the clock we design them to the last detail to be as robust and low-maintenance as possible.

