



BOMAG
FAYAT GROUP

Vibratory Tamper BT60/4 BT65/4



Easy service: hour and rpm meter with integrated service indicator.



All around engine protection.



Dual air filter system helps extend the life of the engine.

www.bomag.com/us



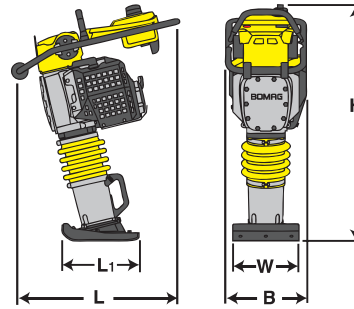
Technical Specifications

BT60/4 BT65/4

Shipping dimensions

in cubic feet (m³)

| | | |
|--------|------|---------|
| BT60/4 | 19.3 | (0.547) |
| BT65/4 | 19.3 | (0.547) |



Standard Equipment

- Reliable Honda 4-stroke engine
- Meets EPA 2013 requirements
- Engine protection covers and guards
- Splash oil lubrication
- Acceleration pump
- Hour / Tachometer with integrated service indicator
- Corrosion-free plastic fuel tank
- Polyethylene shoe with steel wear plate
- Centrifugal clutch
- Infinitely variable frequency
- Anti-vibration handle
- On-off switch with combined engine shut down and fuel shut off
- Dual self cleaning air filter system
- Dual fuel filter system
- Diaphragm carburetor
- Recoil starter with integral guard
- Ergonomic handle, height adjustable

Optional Equipment

- Transport wheels
- Interchangeable Shoe Kits
6", 9", 11", 13"
- 15" Tall Tamper Foot Extension Kits
4" or 6" shoe widths
- Service kit

Dimensions

| | B | H | L | L ₁ | W |
|--------|------------|-------------|------------|----------------|------------|
| BT60/4 | 13.8 (350) | 37.8 (960) | 28.9 (735) | 13.2 (335) | 11.0 (280) |
| BT65/4 | 13.8 (350) | 39.4 (1000) | 28.9 (735) | 13.2 (335) | 11.0 (280) |

Technical data

| | BOMAG BT60/4 | BOMAG BT65/4 |
|--|-----------------|-----------------|
|--|-----------------|-----------------|

Weights

| | | |
|------------------|-------------------|-------------------|
| Basic weight | 134 (61) lbs (kg) | 148 (67) lbs (kg) |
| Operating weight | 137 (62) lbs (kg) | 150 (68) lbs (kg) |

Driving characteristics (depending on site conditions)

| | | |
|-------------------|------------------------|------------------------|
| Working speed max | 66 (20) ft/min (m/min) | 66 (20) ft/min (m/min) |
|-------------------|------------------------|------------------------|

Drive

| | BOMAG BT60/4 | BOMAG BT65/4 |
|----------------------|-----------------------|-----------------------|
| Engine manufacturer | Honda | Honda |
| Type | GX 100 (4-cycle) | GX 100 (4-cycle) |
| Cooling | air | air |
| Number of cylinders | 1 | 1 |
| Performance ISO 9249 | 3.4 (2.5) hp (kW) | 3.4 (2.5) hp (kW) |
| Speed | 4200 | 4200 |
| Fuel | gasoline | gasoline |
| Fuel consumption max | 0.2 (0.8) gal/h (l/h) | 0.2 (0.8) gal/h (l/h) |
| Starting device | recoil | recoil |

Vibratory System

| | | |
|----------------|----------------------------|----------------------------|
| Drive system | mechanical | mechanical |
| Frequency | 600-708 (10-11.8) bpm (Hz) | 600-708 (10-11.8) bpm (Hz) |
| Jumping height | 2.4 in (mm) | (60) 2.8 (70) in (mm) |
| Impact force | 3035 (13.5) lbs (kN) | 3642 (16.2) lbs (kN) |

Capacities

| | | |
|------|-----------------|-----------------|
| Fuel | 0.8 (3) gal (l) | 0.8 (3) gal (l) |
|------|-----------------|-----------------|

Technical modifications reserved. Machine may be shown with options.



Easy rolling with optional transport wheels



Easy to load and unload



Combined engine shut down and fuel shut off