

### Specifications

Models	GR-12		GR-15		GR-20	
Measurements	US	Metric	US	Metric	US	Metric
Working height*	17 ft 4 in	5.45 m	20 ft 8 in	6.52 m	25 ft 9 in	8.02 m
Platform height	11 ft 4 in	3.45 m	14 ft 8 in	4.52 m	19 ft 9 in	6.02 m
<b>A A</b> Platform dimensions (length x width)						
Standard	35 x 29.5 in	.89 x .75 m	35 x 29.5 in	.89 x .75 m	35 x 29.5 in	.89 x .75 m
Standard with extension	55 x 29.5 in	1.4 x .75 m	55 x 29.5 in	1.4 x .75 m	55 x 29.5 in	1.4 x .75 m
Narrow AWP	26 x 20 in	.66 x .51 m	26 x 20 in	.66 x .51 m	26 x 20 in	.66 x .51 m
<b>C</b> Height - stowed	5 ft 2 in	1.57 m	5 ft 2 in	1.57 m	6 ft 6 in	1.98 m
<b>D</b> Length - stowed	4 ft 5 in	1.35 m	4 ft 5 in	1.35 m	4 ft 5 in	1.35 m
<b>A</b> Width	2 ft 5.5 in	.75 m	2 ft 5.5 in	.75 m	2 ft 7.5 in	.80 m
<b>A</b> Ground clearance - center	2.5 in	6 cm	2.5 in	6 cm	2.5 in	6 cm

### Productivity

Lift capacity	500 lbs	227 kg	500 lbs	227 kg	350 lbs	159 kg
Lift capacity - extension deck	250 lbs	113 kg	250 lbs	113 kg	250 lbs	113 kg
Drive speed - stowed	2.5 mph	4.0 km/h	2.5 mph	4.0 km/h	2.5 mph	4.0 km/h
Drive speed - raised	0.5 mph	0.8 km/h	0.5 mph	0.8 km/h	0.5 mph	0.8 km/h
Gradeability**	30%		30%		30%	
Turning radius - inside	zero		zero		zero	
Turning radius - outside	4 ft 4 in	1.32 m	4 ft 4 in	1.32 m	4 ft 5 in	1.34 m
Raise / lower speed	20 / 18 sec	20 / 18 sec	21 / 19 sec	21 / 19 sec	24 / 21 sec	24 / 21 sec
Controls	24V DC proportional		24V DC proportional		24V DC proportional	
Tires - solid non-marking	10 x 3 x 8 in	25 x 8 x 20 cm	10 x 3 x 8 in	25 x 8 x 20 cm	10 x 3 x 8 in	25 x 8 x 20 cm

### Power

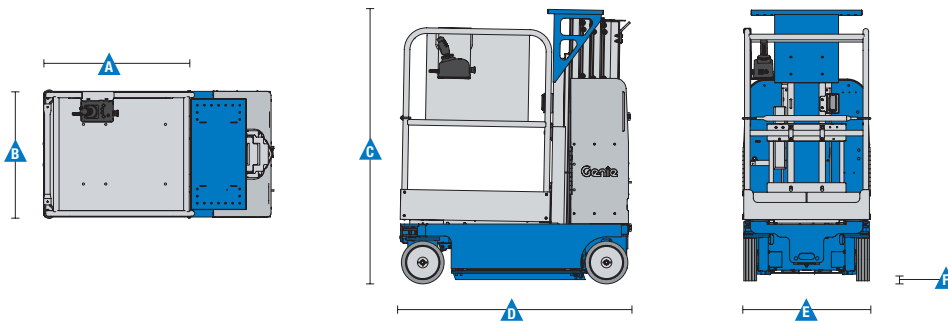
Power source	24V (four 6V 225 Ah batteries)		24V (four 6V 225 Ah batteries)		24V (four 6V 225 Ah batteries)	
Hydraulic system capacity	2.2 gal	8.33 L	2.2 gal	8.33 L	2.2 gal	8.33 L

### Weight\*\*\*

	1,581 lbs	717 kg	2,192 lbs	994 kg	2,451 lbs	1,112 kg
--	-----------	--------	-----------	--------	-----------	----------

### Standards Compliance

ANSI A92.6, CSA B354.2, CE Compliance, AS 1418.10



\* The metric equivalent of working height adds 2 m to platform height. U.S. adds 6 ft to platform height.

\*\* Gradeability applies to driving on slopes. See operator's manual for details regarding slope rating.

\*\*\* Weight will vary depending on options and/or country standards.

### Features

#### Standard Features

##### Measurements

###### GR-12

- 17 ft 4 in (5.45 m) working height
- 11 ft 4 in (3.45 m) platform height
- Up to 500 lbs (227 kg) lift capacity

###### GR-15

- 20 ft 8 in (6.52 m) working height
- 14 ft 8 in (4.52 m) platform height
- Up to 500 lbs (227 kg) lift capacity

###### GR-20

- 25 ft 9 in (8.02 m) working height
- 19 ft 9 in (6.02 m) platform height
- Up to 350 lbs (159 kg) lift capacity

##### Productivity

- Work station tray (GR™-12, GR™-15 only)
- Standard platform with sliding midrail
- Auxiliary platform lowering
- Patented rigid mast system
- Compact base 29.5 x 53 in (.75 m x 1.35 m) (GR™-12, GR™-15 only)
- Ground clearance 2.5 inches (stowed)
- SmartLink™ control system
- Battery charge indicator
- On-board diagnostic system
- AC power to platform
- Descent and tilt alarm
- Zero inside turning radius
- Dual wheel brakes
- Hydraulic brake release
- Pothole protection

#### Standard Features

##### Productivity (continued)

- Hinged rear ABS covers for easy access to all major electrical and hydraulic components
- Tie down attachment points
- Overhead crane attachment point
- Large forklift pockets access
- Non-marking solid tires
- Telematics ready
- Motion alarm
- Dual LED flashing beacons
- Proportional drive and lift

##### Power

- Automatic 19 amp battery charger

#### Options & Accessories

##### Productivity

- 20 in (.51 m) extension platform with sliding midrail
- 20 in (.51 m) extension platform with gate
- Narrow AWP platform with gate
- Platform control guard
- Fluorescent tube caddy
- Automotive horn
- EE Certification\*
- Biodegradable hydraulic oil
- Drive cutout while charging
- 10 ft retractable charging cord\*

##### Power

- 24V (four 6V 225 Ah batteries)
- 800 watt, 24 V inverter (120-230V AC/50-60 Hz)
- AGM maintenance-free batteries



\* Not available with automotive horn or inverter  
\*\* Not available with inverter

#### Genie United States

6464 185th Ave. NE  
Redmond, WA 98052  
Telephone +1 (425) 881-1800  
Toll Free in USA/Canada +1 (800)-536-1800  
Fax +1 (425) 883-3475

#### Distributed By:

Effective Date: November, 2018. Product specifications and prices are subject to change without notice or obligation. The photographs and/or drawings in this document are for illustrative purposes only. Refer to the appropriate Operator's Manual for instructions on the proper use of this equipment. Failure to follow the appropriate Operator's Manual when using our equipment or to otherwise act irresponsibly may result in serious injury or death. The only warranty applicable to our equipment is the standard written warranty applicable to the particular product and sale and we make no other warranty, express or implied. Products and services listed may be trademarks, service marks or trade names of Terex Corporation and/or their subsidiaries in the USA and many other countries. Terex, Genie and AWP are registered trademarks of Terex Corporation or its subsidiaries. © 2018 Terex Corporation.