



## HITACHI SUMITOMO SCX2500LF LUFFING LOAD CHART

**HITACHI SUMITOMO SCX2500LF**  
**MAIN BOOM LIFTING CAPACITIES - 360°**  
**W/ 1.04m SHORT JIB**  
**0.38 HAMMER-HEAD TOP SECTION**  
**MAIN HOOK**



Counterweight Mass	
Upper	87.7 t
Lower	14.0 t

Page 1/3

Radius (m)	Boom Length (m)	
	15.25	18.30
4.50	249.40	
5.00	230.40	214.4/5.4
6.00	190.40	190.40
7.00	163.40	163.40
8.00	143.40	143.40
9.00	127.40	127.40
10.00	114.40	114.40
12.00	90.20	90.00
14.00	73.30	73.10
16.00	65.7/14.9	61.50
18.00		54.6/17.5
<b>NO. OF PARTS OF LINE</b>	20.00	18.00

EK604111

**HITACHI SUMITOMO SCX2500LF**

**MAIN BOOM LIFTING CAPACITIES - 360°**

**W/ 1.04m SHORT JIB**

**0.38 HAMMER-HEAD TOP SECTION**

**MAIN HOOK**



Counterweight Mass	
Upper	93.7 t
Lower	14.0 t

Page 2/3

Radius (m)	Boom Length (m)								
	21.35	24.40	27.45	30.50	33.50	36.55	39.60	42.65	45.70
5.00	192.4/5.9								
6.00	190.40	177.4/6.4							
7.00	163.40	162.40	157.40	150.4/7.5					
8.00	143.40	143.40	143.40	143.40	129.40	118.4/8.5			
9.00	127.40	126.40	126.40	126.40	125.40	117.40	116.4*9.1	107.4/9.6	
10.00	114.40	114.40	114.40	114.40	114.40	114.40	114.40	107.40	93.9/10.1
12.00	92.00	91.30	91.30	91.20	91.10	91.10	91.00	90.90	90.70
14.00	73.80	73.40	73.20	73.20	73.10	72.90	72.50	72.50	72.30
16.00	61.50	61.00	60.80	60.60	60.60	60.20	59.80	59.70	59.50
18.00	52.40	52.00	51.80	51.30	51.30	50.90	50.50	50.40	50.30
20.00	45.50	45.10	44.90	44.30	44.30	43.90	43.50	43.40	43.20
22.00	44.8/20.2	39.80	39.60	38.80	38.80	38.40	38.00	37.90	37.60
24.00		37.6/22.8	35.20	34.40	34.40	33.90	33.50	33.40	33.20
26.00			32.5/25.5	30.80	30.70	30.30	29.90	29.70	29.50
28.00				28.00	27.70	27.30	26.80	26.70	26.40
30.00				27.8/28.1	25.20	24.70	24.30	24.10	23.80
32.00					24.2/30.8	22.50	22.20	21.90	21.60
34.00						20.9/33.4	20.30	20.00	19.70
36.00							18.80	18.40	18.10
38.00								17.00	16.60
40.00								16.6/38.7	15.40
42.00									14.7/41.3
<b>NO. OF PARTS OF LINE</b>	16.00	14.00	12.00	12.00	10.00	9.00	9.00	8.00	7.00

EK604111

# HITACHI SUMITOMO SCX2500LF

MAIN BOOM LIFTING CAPACITIES - 360°  
 W/ 1.04m SHORT JIB  
 0.38 HAMMER-HEAD TOP SECTION  
 MAIN HOOK



Counterweight Mass	
Upper	93.7 t
Lower	14.0 t

Page 3/3

Radius (m)	Boom Length (m)							
	48.75	51.80	54.85	57.90	60.95	64.00	67.05	70.10
10.00	92.7/10.7	80.4/11.2	79.8/11.7					
12.00	90.60	80.40	78.80	66.4/12.2	65.1/12.8	63.0/13.3	53.4/13.8	
14.00	72.20	72.10	71.90	62.70	62.60	61.90	53.40	52.6/14.4
16.00	59.40	59.40	59.20	59.20	59.00	58.60	50.00	49.60
18.00	50.10	50.10	50.00	49.90	49.60	49.40	48.20	48.00
20.00	43.00	43.00	42.80	42.70	42.50	42.30	42.20	42.00
22.00	37.40	37.40	37.30	37.10	36.90	36.80	36.60	36.40
24.00	32.90	32.90	32.80	32.60	32.40	32.30	32.10	31.90
26.00	29.20	29.20	29.10	28.90	28.70	28.60	28.40	28.20
28.00	26.20	26.10	26.00	25.80	25.60	25.40	25.20	25.00
30.00	23.50	23.50	23.40	23.10	22.90	22.80	22.60	22.40
32.00	21.40	21.20	21.10	20.90	20.70	20.50	20.30	20.10
34.00	19.50	19.30	19.10	18.90	18.70	18.50	18.30	18.10
36.00	17.90	17.60	17.40	17.20	17.00	16.80	16.60	16.40
38.00	16.50	16.10	15.90	15.70	15.40	15.30	15.10	14.80
40.00	15.20	14.80	14.60	14.30	14.10	13.90	13.70	13.50
42.00	14.10	13.70	13.40	13.10	12.90	12.70	12.50	12.20
44.00	12.60	12.60	12.40	12.00	11.90	11.60	11.40	11.10
46.00		11.70	11.50	11.10	11.00	10.70	10.40	10.20
48.00		11.5/46.6	10.60	10.20	10.10	9.80	9.50	9.30
50.00			10.2/49.2	9.50	9.30	9.10	8.80	8.50
52.00				8.9/51.9	8.60	8.30	8.00	7.80
54.00					8.00	7.60	7.30	7.10
56.00					7.9/54.5	7.00	6.70	6.50
58.00						6.6/57.2	6.20	5.90
60.00							5.7/59.8	5.40
62.00								4.90
64.00								4.8/62.4
<b>NO. OF PARTS OF LINE</b>	7.00	6.00	6.00	5.00	5.00	5.00	4.00	4.00

EK604111

HITACHI SUMITOMO SCX2500LF  
LUFFING JIB CAPACITIES - 360°



Counterweight Mass	
Upper	93.7 t
Lower	14.0 t

Jib Length (m)	Tower Length 30.5m											
	21.35				24.40				27.45			
	88.0	85.0	75.0	65.0	88.0	85.0	75.0	65.0	88.0	85.0	75.0	65.0
Radius (m)												
9.00	69.3/9.7											
10.00	69.20				68.8/10.6							
11.00	68.80				68.60				63.5/11.4			
12.00	55.40	68.4/12.3			66.20				62.00			
13.00	59.00	68.00			63.50	65.3/13.3			59.50			
14.00	53.00	63.70			61.00	63.60			57.20	58.6/14.4		
15.00	47.90	56.90			55.30	61.10			55.10	57.40		
16.00	43.50	51.30			50.70	58.80			53.20	55.30		
18.00	38.60	42.40			42.80	49.40			49.10	51.50		
20.00	32.50	37.80	43.3/20.9		38.90	41.90			42.30	48.00		
22.00	27.10	31.90	40.70		33.40	38.20	39.8/22.4		39.10	41.50	36.9/23.9	
24.00	24.0/23.7	26.60	36.50		28.60	32.90	36.60		34.20	38.50	36.70	
26.00		24.6/25.3	33.10		25.70	28.20	33.20		29.80	33.80	33.20	
28.00			30.20	27.6/28.8	24.0/26.6	25.20	30.30		25.80	29.50	30.30	
30.00			26.10	26.30		24.6/28.2	27.90	25.3/30.8	23.9/29.6	25.50	27.90	
32.00			24.7/30.5	24.30			25.80	24.10		24.4/31.2	25.80	23.1/32.8
34.00				22.60			24.5/33.4	22.30			23.90	22.10
36.00				21.4/35.5				20.80			22.30	20.60
38.00								19.50			22.0/36.4	19.30
40.00								19.2/38.7				18.10
42.00												17.4/41.3
NO. OF PARTS OF LINE	6	6	4	3	6	5	3	2	5	5	3	2

EK605028

HITACHI SUMITOMO SCX2500LF  
LUFFING JIB CAPACITIES - 360°

TUTT BRYANT



Counterweight Mass	
Upper	93.7 t
Lower	14.0 t

Jib Length (m)	Tower Length 30.5m											
	30.50				33.50				36.50			
Tower Angle (°)	88.0	85.0	75.0	65.0	88.0	85.0	75.0	65.0	88.0	85.0	75.0	65.0
Radius (m)												
12.00	56.8/12.3											
13.00	55.40				50.6/13.2							
14.00	53.40				49.40				45.6/14.1			
15.00	51.50	52.6/15.4			47.80				44.50			
16.00	49.80	51.60			46.20	46.8/16.5			43.20	42.4/17.5		
18.00	46.70	48.20			43.50	44.90			40.70	41.90		
20.00	44.00	45.30			41.10	42.30			38.50	39.60		
22.00	41.60	42.60			39.00	40.00			36.60	37.50		
24.00	37.50	38.30	33.8/25.4		37.20	38.10			34.90	35.70		
26.00	33.30	34.70	32.80		33.40	34.70	31.2/27.0		33.10	34.10		
28.00	29.60	31.70	30.00		29.90	31.60	29.90		29.80	31.70	29.1/28.5	
30.00	26.30	29.10	27.50		26.90	29.10	27.50		26.80	29.10	27.30	
32.00	23.00	26.00	25.50		24.10	26.60	25.30		24.30	26.60	25.20	
34.00	22.1/32.5	22.70	23.60	21.2/34.7	21.40	23.90	24.30		21.90	24.10	23.40	
36.00		22.5/34.1	22.00	20.30	19.3/35.5	21.20	27.10	19.9/36.7	19.70	21.80	21.80	
38.00			20.60	18.90		19.7/37.1	20.30	19.00	17.40	19.60	20.40	18.2/38.6
40.00			19.8/39.3	17.70			19.10	17.80	16.9/38.4	17.30	19.10	17.50
42.00				16.80			18.00	16.70			18.00	16.40
44.00				15.80			17.9/42.3	15.70			16.90	15.40
46.00				15.6/44.3				15.00			16.4/45.2	14.50
48.00								14.5/47.2				13.80
50.00												13.10
52.00												13.0/50.2
NO. OF PARTS OF LINE	5	4	3	2	4	4	3	2	4	4	3	2

EK605028

Counterweight Mass	
Upper	93.7 t
Lower	14.0 t

Jib Length (m)	Tower Length 30.5m											
	39.60				42.65				45.70			
	88.0	85.0	75.0	65.0	88.0	85.0	75.0	65.0	88.0	85.0	75.0	65.0
Radius (m)												
15.00	39.40				33.6/15.9							
16.00	38.60				33.60				29.2/16.8			
18.00	37.40	38.0/18.6			32.50	32.1/19.6			28.70			
20.00	35.80	36.70			31.50	31.90			27.80	27.8/20.6		
22.00	34.10	34.80			30.80	30.90			27.10	27.30		
24.00	32.50	33.20			30.10	30.10			26.50	26.50		
26.00	31.20	31.80			28.90	29.40			26.00	25.90		
28.00	29.50	30.50			27.90	28.30			25.30	25.40		
30.00	26.70	29.00	27.10		26.90	27.30	25.6/31.5		23.70	25.00		
32.00	24.20	26.40	25.00		24.50	26.40	26.10		22.30	23.40	23.9/33.1	
34.00	22.00	24.00	23.20		22.40	24.30	23.30		21.10	22.00	23.10	
36.00	20.00	21.90	21.60		20.40	22.20	21.70		20.00	20.80	21.50	
38.00	18.10	19.90	20.20		18.70	20.30	20.20		18.70	19.80	20.00	
40.00	16.20	18.00	18.90	16.8/40.6	17.00	18.60	19.00		18.20	18.60	18.70	
42.00	14.8/41.4	16.20	17.70	16.10	15.40	17.00	17.80	15.9/42.6	15.70	17.10	17.50	
44.00		15.3/43.0	16.70	15.10	13.70	15.40	16.80	15.20	14.30	15.70	16.50	14.7/44.5
46.00			15.80	14.30	13.4/44.3	13.8/45.9	15.80	14.30	12.90	14.30	15.50	14.10
48.00			15.00	13.50			15.00	13.50	12.0/47.2	12.90	14.70	13.30
50.00			14.9/48.2	12.80			14.20	12.80		12.3/48.8	13.90	12.50
52.00				12.10			13.7/51.1	12.10			13.20	11.90
54.00				11.7/53.1				11.50			12.60	11.30
56.00								11.00			12.4/54.1	10.70
58.00								10.9/56.1				10.20
60.00												10.0/59.0
NO. OF PARTS OF LINE	3	3	3	2	3	3	2	2	3	3	2	2

EK605028

HITACHI SUMITOMO SCX2500LF  
LUFFING JIB CAPACITIES - 360°

TUTT BRYANT



Counterweight Mass	
Upper	93.7 t
Lower	14.0 t

Jib Length (m)	Tower Length 30.5m											
	48.75				51.80				54.85			
	88.0	85.0	75.0	65.0	88.0	85.0	75.0	65.0	88.0	85.0	75.0	65.0
Radius (m)												
16.00	25.5/17.7											
18.00	25.40				24.8/18.6				21.3/19.5			
20.00	24.60	24.3/21.7			24.40				21.20			
22.00	23.90	24.20			23.80	23.6/22.7			20.60	20.3/23.8		
24.00	23.30	23.40			23.20	23.30			20.20	20.30		
26.00	22.80	22.80			22.80	22.80			19.80	19.80		
28.00	21.90	22.30			22.50	22.30			18.90	19.40		
30.00	20.40	21.60			21.80	21.90			17.90	18.70		
32.00	19.20	20.20			20.70	21.50			16.90	17.70		
34.00	18.00	18.90	21.0/34.6		19.60	20.40			16.10	16.80		
36.00	17.00	17.80	50.60		18.70	19.40	20.6/36.1		15.30	15.90	17.5/37.6	
38.00	16.10	16.80	19.50		17.90	18.60	19.60		14.70	15.20	17.30	
40.00	15.30	16.00	18.20		17.20	17.80	18.30		14.00	14.50	16.40	
42.00	14.70	15.20	17.00		16.10	17.10	17.20		13.50	13.90	15.60	
44.00	14.40	14.50	16.20		14.90	16.10	16.10		13.00	13.40	14.90	
46.00	13.40	14.00	15.30	13.6/46.5	13.70	14.90	15.20		12.60	12.90	14.30	
48.00	12.20	13.40	14.40	13.10	12.60	13.70	14.30	12.5/48.4	12.20	12.50	13.70	
50.00	10.90	12.20	13.60	12.40	11.60	12.60	13.50	12.10	11.90	12.10	13.20	11.7/50.4
52.00	10.7/50.2	11.1/51.8	12.90	11.70	10.50	11.60	12.80	11.50	11.00	11.80	12.70	11.50
54.00			12.40	11.10	9.8/53.1	10.50	12.10	10.90	10.10	11.00	12.30	10.80
56.00			11.80	10.50		10.1/54.5	11.50	10.30	9.00	10.10	11.70	10.30
58.00			11.5/57.0	10.00			11.00	9.80	8.9/56.1	9.3/57.7	11.20	9.70
60.00				9.50			10.0/59.9	9.30			10.70	9.30
62.00				9.10				8.90			10.00	8.80
64.00								8.50			9.7/62.9	8.40
66.00								8.3/64.9				8.00
68.00												7.7/67.8
NO. OF PARTS OF LINE	2	2	2	2	2	2	2	1	2	2	2	1

EK605028



**HITACHI SUMITOMO SCX2500LF**  
**LUFFING JIB CAPACITIES - 360°**



Counterweight Mass	
Upper	93.7 t
Lower	14.0 t

Jib Length (m)	Tower Length 30.5m							
	57.90				60.95			
	88.0	85.0	75.0	65.0	88.0	85.0	75.0	65.0
Radius (m)								
20.00	19.0/20.4				16.8/21.2			
22.00	18.60				16.70			
24.00	18.10	18.0/24.8			16.30	15.9/25.9		
26.00	17.70	17.80			15.70	15.90		
28.00	16.70	17.40			14.70	15.50		
30.00	15.70	16.50			13.80	14.50		
32.00	14.80	15.50			13.00	13.60		
34.00	14.10	14.70			12.30	12.90		
36.00	13.40	13.90			11.70	12.20		
38.00	12.70	13.20	14.6/39.2		11.10	11.50		
40.00	12.20	12.60	14.40		10.50	11.0/10.4	12.2/40.7	
42.00	11.70	12.10	13.70		10.10	10.00	11.90	
44.00	11.20	11.60	13.00		9.60	9.50	11.30	
46.00	10.80	11.10	12.40		9.20	9.20	10.80	
48.00	10.40	10.70	11.90		8.90	8.80	10.30	
50.00	10.1	10.30	11.40		8.60	8.50	9.80	
52.00	9.80	10.00	10.90	11.2/52.3	8.30	8.30	9.40	
54.00	9.60	9.80	10.60	10.70	8.10	8.00	9.00	9.9/54.3
56.00	9.40	9.60	10.20	10.10	7.90	7.90	8.70	9.60
58.00	8.60	9.40	9.90	9.60	7.70	7.80	8.40	9.20
60.00	8.2/59.0	8.60	9.70	9.10	8.50	7.70	8.20	8.80
62.00		8.3/60.6	9.50	8.60	7.30	7.6/63.6	8.00	8.40
64.00			9.40	8.20			7.80	8.00
66.00			9.2/65.8	7.80			7.70	7.70
68.00				7.50			7.60	7.30
70.00				7.10			7.5/68.8	6.90
72.00				6.9/70.8				6.60
74.00								6.4/73.7
<b>NO. OF PARTS OF LINE</b>	2	2	2	1	2	2	1	1

EK605028

Counterweight Mass	
Upper	93.7 t
Lower	14.0 t

Jib Length (m)	Tower Length 45.70m											
	21.35				24.40				27.45			
	88.0	85.0	75.0	65.0	88.0	85.0	75.0	65.0	88.0	85.0	75.0	65.0
Radius (m)												
10.00	54.0/10.2											
11.00	52.60				49.6/11.1							
12.00	50.30				47.80				45.60			
13.00	48.30	49.6/13.6			45.80				43.70			
14.00	46.40	48.90			44.00	45.1/14.7			42.00			
15.00	44.70	47.00			42.40	44.60			40.50	41.7/15.7		
16.00	43.10	45.20			40.90	42.90			39.10	41.00		
18.00	40.40	42.10			38.30	39.90			36.60	36.20		
20.00	34.00	39.50			36.10	37.40			34.40	35.80		
22.00	28.50	35.70			34.20	35.30			32.60	33.70		
24.00	24.80	30.10	31.1/24.8		29.80	33.50			31.30	32.00		
26.00	24.1/24.2	26.50	29.80		27.00	31.30	28.9/26.3		29.80	30.40	26.8/27.9	
28.00		24.7/26.6	27.60		23.8/27.2	26.70	27.10		26.90	29.20	26.80	
30.00			25.60			24.4/29.6	25.20		24.20	28.10	25.00	
32.00			23.70				23.50		23.9/30.1	25.70	23.40	
34.00			22.00	17.7/35.3			21.70			24.5/32.5	21.60	
36.00			21.6/34.4	17.30			20.30	16.2/37.2			20.10	
38.00				16.10			19.2/37.4	15.80			18.80	15.1/39.2
40.00				15.00				14.80			17.60	14.70
42.00				14.0/41.9				13.90			17.4/40.3	13.90
44.00								13.10				13.00
46.00								12.8/44.8				12.30
48.00												11.5/47.8
NO. OF PARTS OF LINE	4	4	3	2	4	4	3	2	4	4	2	2

EK605028

Counterweight Mass	
Upper	93.7 t
Lower	14.0 t

Jib Length (m)	Tower Length 45.70m											
	30.50				33.50				36.50			
	88.0	85.0	75.0	65.0	88.0	85.0	75.0	65.0	88.0	85.0	75.0	65.0
Radius (m)												
12.00	41.5/12.9											
13.00	41.40				38.0/13.8							
14.00	39.90				37.80				35.0/14.6			
15.00	38.40				36.50				34.60			
16.00	37.10	37.5/16.8			35.30	31.7/17.8			33.40			
18.00	34.70	36.20			33.10	34.50			31.40	31.7/18.8		
20.00	32.70	34.00			31.20	32.40			29.60	30.70		
22.00	30.90	32.00			29.60	30.60			28.10	29.00		
24.00	29.40	30.30			28.20	29.00			26.70	27.50		
26.00	28.10	28.80			26.80	27.60			25.50	26.20		
28.00	27.00	27.60	24.8/29.4		25.90	26.40			24.50	25.00		
30.00	26.10	26.50	24.40		25.00	25.40	23.6/30.9		23.60	24.00		
32.00	23.50	25.60	22.80		24.20	24.50	22.80		22.80	23.10	21.9/32.4	
34.00	22.0/33.1	24.50	21.40		21.90	23.70	21.30		22.10	22.40	20.80	
36.00		23.4/35.4	20.00		19.10	22.70	20.00		20.00	21.70	19.50	
38.00			18.50			20.00	18.60		17.80	20.70	18.40	
40.00			17.30	13.7/41.2		19.4/38.4	17.40		16.8/38.9	18.60	17.50	
42.00			16.30	13.40			16.30	13.0/43.1		17.2/41.3	16.00	
44.00			15.6/43.3	12.70			15.40	12.70			15.00	11.9/45.1
46.00				11.90			14.50	12.10			14.20	11.60
48.00				11.30			14.4/46.2	11.40			13.40	11.00
50.00				10.70				10.70			12.6/49.2	10.30
52.00				10.4/50.7				10.20				9.80
54.00								9.6/53.7				9.20
56.00												8.90
58.00												8.7/56.6
NO. OF PARTS OF LINE	4	3	2	2	3	3	2	1	3	3	2	1

EK605028



Counterweight Mass	
Upper	93.7 t
Lower	14.0 t

Jib Length (m)	Tower Length 45.70m											
	39.60				42.65				45.70			
	88.0	85.0	75.0	65.0	88.0	85.0	75.0	65.0	88.0	85.0	75.0	65.0
Radius (m)												
15.00	31.9/15.5											
16.00	31.50				28.9/16.4				26.4/17.3			
18.00	29.60	29.0/19.9			27.80				26.00			
20.00	27.90	29.00			26.40	26.6/20.9			24.60			
22.00	26.50	27.40			25.10	25.90			23.40	24.20		
24.00	25.20	25.90			23.90	24.60			22.40	23.00		
26.00	24.10	24.70			22.90	23.40			21.40	21.90		
28.00	23.10	23.60			22.00	22.40			20.60	21.00		
30.00	22.30	22.60			21.20	21.50			19.80	20.20		
32.00	21.50	21.80			20.50	20.80			19.20	19.40		
34.00	20.80	21.00	20.30		19.90	20.10	19.5/35.5		18.60	18.80		
36.00	20.20	20.40	19.10		19.30	19.40	19.20		18.10	18.20	18.1/37.0	
38.00	18.30	19.80	18.00		18.90	18.90	18.00		18.60	17.70	17.60	
40.00	16.50	19.00	17.00		17.20	18.50	17.10		17.20	17.20	16.60	
42.00	14.7/41.9	17.10	15.90		15.60	17.80	16.00		15.90	16.80	15.70	
44.00		15.20	14.80		14.00	16.20	15.00		14.50	16.40	14.80	
46.00		14.9/44.3	13.90	11.0/47.0	13.3/44.8	14.60	14.10		13.10	15.00	13.90	
48.00			13.10	10.70		13.6/47.2	13.30	10.5/49.0	11.8/47.8	13.60	13.00	
50.00			12.40	10.00			12.50	10.20		12.20	12.30	9.5/51.0
52.00			11.80	9.50			11.90	9.60		12.0/50.2	11.90	9.30
54.00			11.7/52.1	8.90			11.30	9.10			11.00	8.80
56.00				8.50			10.9/55.1	8.60			10.50	8.30
58.00				8.00				8.10			10.00	7.90
60.00				7.9/59.6				7.70				7.40
62.00								7.40				7.10
64.00								7.4/62.5				6.70
66.00												6.5/65.5
NO. OF PARTS OF LINE	3	3	2	1	3	2	2	1	2	2	2	1

EK605028

HITACHI SUMITOMO SCX2500LF  
LUFFING JIB CAPACITIES - 360°

TUTT BRYANT



Counterweight Mass	
Upper	93.7 t
Lower	14.0 t

Jib Length (m)	Tower Length 45.70m											
	48.75				51.80				54.85			
	88.0	85.0	75.0	65.0	88.0	85.0	75.0	65.0	88.0	85.0	75.0	65.0
Radius (m)												
18.00	23.9/18.2				22.8/19.1							
20.00	23.00				22.70				19.90			
22.00	21.90	22.0/23.0			21.60				19.60			
24.00	20.90	21.50			20.70	21.1/24.1			19.10	19.2/258.1		
26.00	20.00	20.50			19.80	20.30			18.50	18.90		
28.00	19.20	19.60			19.00	19.40			17.80	18.10		
30.00	18.50	18.80			18.30	18.60			17.20	17.50		
32.00	17.90	18.20			17.70	17.90			16.70	16.90		
34.00	17.40	17.50			17.10	17.30			16.20	16.30		
36.00	16.90	17.00			16.60	16.80			15.40	15.80		
38.00	16.20	16.50	17.0/38.5		16.20	16.20			14.70	15.30		
40.00	15.40	16.10	16.30		15.80	15.80	15.8/40.1		14.10	14.90	15.1/41.6	
42.00	14.70	15.50	15.40		15.40	15.40	15.10		13.50	14.20	15.00	
44.00	14.10	14.80	14.60		15.00	15.00	14.30		13.00	13.60	14.30	
46.00	13.50	14.20	13.80		13.80	14.70	13.50		12.60	13.30	13.60	
48.00	12.30	13.70	12.90		12.70	14.30	12.70		12.20	12.60	12.70	
50.00	11.00	12.80	12.00		11.60	13.10	11.90		11.80	12.20	12.00	
52.00	10.5/50.7	11.50	11.30	8.9/52.9	10.60	12.10	11.20		11.10	11.90	11.20	
54.00		10.7/53.1	10.80	8.60	9.7/53.7	11.00	10.50	8.1/54.9	10.20	11.50	10.70	
56.00			10.30	8.10		9.90	10.00	7.90	9.20	10.60	10.10	7.7/56.8
58.00			9.80	7.70		9.8/56.1	9.60	7.50	8.9/56.6	9.60	9.60	7.50
60.00			9.30	7.30			9.10	7.10		9.1/59.0	9.10	7.10
62.00			9.0/60.9	6.90			8.70	6.70			8.60	6.80
64.00				6.50			8.3/63.9	6.30			8.20	6.40
66.00				6.20				6.00			7.80	6.10
68.00				5.90				5.70			7.6/66.8	5.80
70.00				5.8/68.4				5.40				5.50
72.00								5.3/71.3				5.20
74.00												5.00
76.00												4.9/74.3
NO. OF PARTS OF LINE	2	2	2	1	2	2	2	1	2	2	2	1

EK605028

**HITACHI SUMITOMO SCX2500LF**  
**LUFFING JIB CAPACITIES - 360°**



Counterweight Mass	
Upper	93.7 t
Lower	14.0 t

Jib Length (m)	Tower Length 45.70m							
	57.90				60.95			
	88.0	85.0	75.0	65.0	88.0	85.0	75.0	65.0
Radius (m)								
20.00	17.6/20.9				15.4/21.8			
22.00	17.50				15.40			
24.00	17.20				15.30			
26.00	16.80	16.9/26.1			15.00	15.0/27.2		
28.00	16.50	16.60			14.70	14.80		
30.00	15.80	16.20			13.90	14.50		
32.00	14.90	15.80			13.10	14.10		
34.00	14.20	15.10			12.40	13.30		
36.00	13.40	14.30			11.70	12.50		
38.00	12.80	13.60			11.10	11.80		
40.00	12.20	12.90			10.60	11.20		
42.00	11.70	12.30	13.7/43.1		10.10	10.70		
44.00	11.20	11.80	13.60		9.60	10.20	12.3/44.6	
46.00	10.80	11.30	13.20		9.20	9.70	11.80	
48.00	10.40	10.80	12.60		8.90	9.30	11.20	
50.00	10.10	10.50	11.90		8.50	8.90	10.60	
52.00	9.80	10.10	11.10		8.30	8.60	10.10	
54.00	9.50	9.80	10.50		8.00	8.30	9.70	
56.00	9.40	9.60	9.90		7.80	8.10	9.20	
58.00	8.70	9.40	9.40	7.1/58.8	7.70	7.80	8.80	
60.00	8.1/59.6	9.10	8.90	6.90	7.60	7.70	8.40	6.5/60.7
62.00		8.2/61.9	8.50	6.50	7.40	7.60	8.00	6.30
64.00			8.10	6.10	7.3/62.5	7.50	7.70	6.00
66.00			7.70	5.90		7.4/64.9	7.40	5.60
68.00			7.30	5.60			7.10	5.30
70.00			6.9/69.8	5.30			6.80	5.10
72.00				5.00			6.50	4.80
74.00				4.80			6.4/72.7	4.60
76.00				4.50				4.30
78.00				4.3/77.2				4.10
80.00				4.3/77.2				3.90
82.00								3.8/80.2
<b>NO. OF PARTS OF LINE</b>	2	2	2	1	2	2	1	1

EK605028

Counterweight Mass	
Upper	93.7 t
Lower	14.0 t

Jib Length (m)	Tower Length 60.95m											
	30.50				33.50				36.55			
Tower Angle (°)	88.0	85.0	75.0	65.0	88.0	85.0	75.0	65.0	88.0	85.0	75.0	65.0
Radius (m)												
13.00	26.7/13.4											
14.00	26.10				25.0/14.3							
15.00	25.10				24.40				23.1/15.2			
16.00	24.10				23.50				22.50			
18.00	22.40	23.3/18.1			21.90	22.1/19.1			21.00			
20.00	21.00	22.00			20.60	21.50			19.70	20.1/20.2		
22.00	19.80	20.60			19.40	20.10			18.50	19.20		
24.00	18.70	19.40			18.40	19.00			17.50	18.10		
26.00	17.80	18.30			17.50	17.90			16.60	17.10		
28.00	17.10	17.40			16.70	17.00			15.90	16.20		
30.00	16.40	16.60			16.00	16.30			15.20	15.50		
32.00	16.00	16.00	16.8/33.3		15.50	15.60			14.60	14.80		
34.00	15.8/33.6	15.50	16.50		15.00	15.00	15.8/34.9		14.10	14.20		
36.00		15.10	15.60		14.80	14.60	15.40		13.80	13.70	14.4/36.4	
38.00		14.9/36.8	14.90		14.7/36.5	14.20	14.70		13.50	13.30	13.80	
40.00			14.30			13.8/39.7	14.00		13.2/39.5	13.00	13.20	
42.00			13.50				13.50			12.80	12.60	
44.00			12.90				12.90			12.7/42.7	12.10	
46.00			12.30	8.0/47.6			12.30				11.70	
48.00			11.9/47.2	8.00			11.80	7.8/49.6			11.30	
50.00				7.60			11.30	7.60			10.80	7.1/51.5
52.00				7.20			11.2/50.2	7.20			10.0/53.1	7.00
54.00				6.90				6.90				6.60
56.00				6.60				6.60				6.30
58.00				6.4/57.2				6.30				6.00
60.00								6.10				5.70
62.00								6.1/60.1				5.50
64.00												5.3/63.1
NO. OF PARTS OF LINE	2	2	2	1	2	2	2	1	2	2	2	1

EK605028

Counterweight Mass	
Upper	93.7 t
Lower	14.0 t

Jib Length (m)	Tower Length 60.95m											
	39.60				42.65				45.70			
	88.0	85.0	75.0	65.0	88.0	85.0	75.0	65.0	88.0	85.0	75.0	65.0
Radius (m)												
16.00	21.4/16.1				20.1/17.0				18.5/17.9			
18.00	20.00				19.50				18.50			
20.00	18.80	18.8/21.2			18.30				17.30			
22.00	17.60	18.40			17.20	17.5/22.3			16.30	16.3/23.3		
24.00	16.70	17.20			16.30	16.80			15.50	16.00		
26.00	15.80	16.30			15.50	15.90			14.70	15.10		
28.00	15.10	15.40			14.80	15.10			14.00	14.30		
30.00	14.40	14.70			14.20	14.40			13.40	13.60		
32.00	13.80	14.00			13.60	13.80			12.80	13.00		
34.00	13.30	13.40			13.10	13.20			12.40	12.50		
36.00	12.90	12.90	13.3/37.9		12.70	12.70			11.90	12.00		
38.00	12.60	12.50	13.20		12.30	12.30	12.6/39.4		11.60	11.50		
40.00	12.30	12.10	12.60		12.00	11.90	12.40		11.20	11.20	11.5/40.9	
42.00	12.20	11.80	12.00		11.80	11.60	11.90		11.00	10.80	11.10	
44.00	12.1/42.4	11.70	11.50		11.60	11.30	11.40		10.80	10.60	10.70	
46.00		11.6/45.6	11.10		11.4/45.4	11.10	11.00		10.70	10.30	10.20	
48.00			10.70			11.00	10.60		10.60	10.20	9.90	
50.00			10.30			10.9/48.6	10.20		10.5/48.3	10.10	9.50	
52.00			9.90	6.3/53.5			10.00			10.0/51.5	9.20	
54.00			9.50	6.20			9.60	6.0/55.4			9.00	
56.00			9.20	5.90			9.20	5.90			8.70	5.5/57.4
58.00			9.1/56.1	5.60			8.80	5.60			8.40	5.40
60.00				5.30			8.6/59.0	5.40			8.10	5.10
62.00				5.00				5.10			7.8/61.9	4.80
64.00				4.80				4.90				4.60
66.00				4.70				4.70				4.40
68.00								4.50				4.20
70.00								4.4/68.9				4.00
72.00												3.9/71.9
NO. OF PARTS OF LINE	2	2	1	1	2	2	1	1	2	2	1	1

EK605028



HITACHI SUMITOMO SCX2500LF  
LUFFING JIB CAPACITIES - 360°

TUTT BRYANT



Counterweight Mass	
Upper	93.7 t
Lower	14.0 t

Jib Length (m)	Tower Length 60.95m											
	48.75				51.80				54.85			
	88.0	85.0	75.0	65.0	88.0	85.0	75.0	65.0	88.0	85.0	75.0	65.0
Radius (m)												
18.00	17.1/18.7				16.2/19.6							
20.00	16.50				16.10				15.2/20.5			
22.00	15.50				15.20				14.60			
24.00	14.70	14.8/24.3			14.30	14.2/25.4			13.80			
26.00	13.90	14.30			13.60	14.00			13.20	13.2/26.4		
28.00	13.30	13.60			13.00	13.20			12.60	12.80		
30.00	12.70	12.90			12.40	12.60			12.00	12.20		
32.00	12.20	12.30			11.80	12.00			11.50	11.70		
34.00	11.70	11.80			11.40	11.50			11.10	11.20		
36.00	11.30	11.30			10.90	11.00			10.70	10.70		
38.00	10.90	10.90			10.60	10.60			10.30	10.30		
40.00	10.60	10.50			10.20	10.20			10.00	10.00		
42.00	10.30	10.20	10.4/42.5		9.90	9.80			9.70	9.60		
44.00	10.10	9.90	10.10		9.60	9.50	9.80		9.50	9.40	9.3/45.5	
46.00	9.90	9.70	9.70		9.40	9.30	9.40		9.20	9.10	9.20	
48.00	9.80	9.50	9.30		9.30	9.00	9.00		9.10	8.90	8.80	
50.00	9.70	9.30	9.00		9.20	8.80	8.70		9.00	8.70	8.50	
52.00	9.6/51.3	9.20	8.70		9.10	8.70	8.30		8.90	8.50	8.20	
54.00		9.10	8.40		9.00	8.60	8.10		8.80	8.30	8.00	
56.00		9.0/54.4	8.30		8.9/54.2	8.50	7.80		8.70	8.20	7.70	
58.00			8.10	4.8/59.4		8.4/57.4	7.60		8.6/57.1	8.10	7.50	
60.00			7.70	4.80			7.40	4.4/61.3		8.00	7.30	
62.00			7.40	4.60			7.10	4.30		7.9/60.3	7.20	4.2/63.3
64.00			7.20	4.30			6.80	4.00			6.90	4.10
66.00			7.1/64.9	4.10			6.60	3.80			6.70	3.90
68.00				3.90			6.5/67.8	3.60			6.40	3.70
70.00				3.70				3.40			6.20	3.50
72.00				3.50				3.20			6.1/70.8	3.30
74.00				3.40				3.10				3.10
76.00				3.4/74.8				3.00				3.00
78.00								2.9/77.8				2.80
80.00												2.70
82.00												2.7/80.7
NO. OF PARTS OF LINE	2	2	1	1	2	2	1	1	2	1	1	1

EK605028

**HITACHI SUMITOMO SCX2500LF**  
**LUFFING JIB CAPACITIES - 360°**



Counterweight Mass	
Upper	93.7 t
Lower	14.0 t

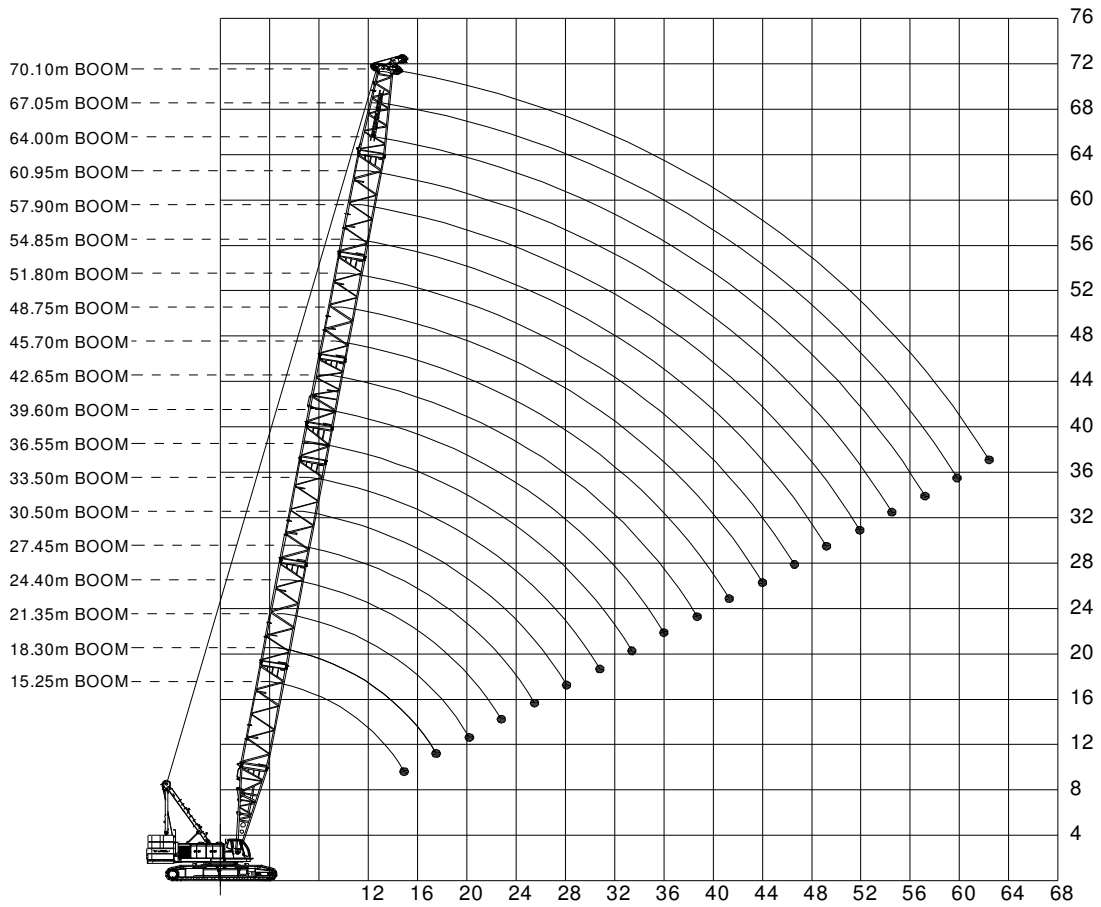
Jib Length (m)	Tower Length 60.95m							
	57.90				60.95			
Tower Angle (°)	88.0	85.0	75.0	65.0	88.0	85.0	75.0	65.0
Radius (m)								
20.00	14.0/21.4							
22.00	13.80				12.7/22.3			
24.00	13.10				12.30			
26.00	12.50	12.2/27.5			11.80			
28.00	11.90	12.10			11.20	11.2/28.5		
30.00	11.40	11.60			10.70	10.90		
32.00	10.90	11.00			10.30	10.40		
34.00	10.50	10.60			9.90	10.00		
36.00	10.10	10.20			9.50	9.60		
38.00	9.80	9.80			9.20	9.20		
40.00	9.50	9.40			8.90	8.90		
42.00	9.20	9.10			8.60	8.50		
44.00	8.90	8.80			8.40	8.30		
46.00	8.70	8.60	8.5/47.0		8.10	8.00		
48.00	8.50	8.30	8.30		8.00	7.80	7.6/48.6	
50.00	8.40	8.10	8.00		7.90	7.40	7.50	
52.00	8.30	7.90	7.70		7.80	7.20	7.20	
54.00	8.20	7.80	7.50		7.70	7.10	7.00	
56.00	8.10	7.70	7.20		7.60	7.00	6.70	
58.00	8.00	7.60	7.00		7.50	6.90	6.50	
60.00	7.90	7.50	6.80		7.40	6.80	6.30	
62.00	7.8/60.1	7.40	6.70		7.30	6.70	6.20	
64.00		7.3/63.3	6.50	3.7/65.2	7.2/63.0	6.60	6.00	
66.00			6.40	3.70		6.50	5.90	3.3/67.2
68.00			6.10	3.50		6.5/66.2	5.80	3.30
70.00			5.90	3.30			5.60	3.10
72.00			5.70	3.10			5.40	2.90
74.00			5.5/73.7	3.00			5.20	2.70
76.00				2.80			5.00	2.50
78.00				2.60			4.9/76.7	2.40
80.00				2.50				2.20
82.00				2.40				2.10
84.00				2.3/83.7				2.00
86.00								1.90
88.00								1.8/86.5
<b>NO. OF PARTS OF LINE</b>	2	1	1	1	1	1	1	1

EK605028

**HITACHI SUMITOMO SCX2500LF  
RANGE CHART**



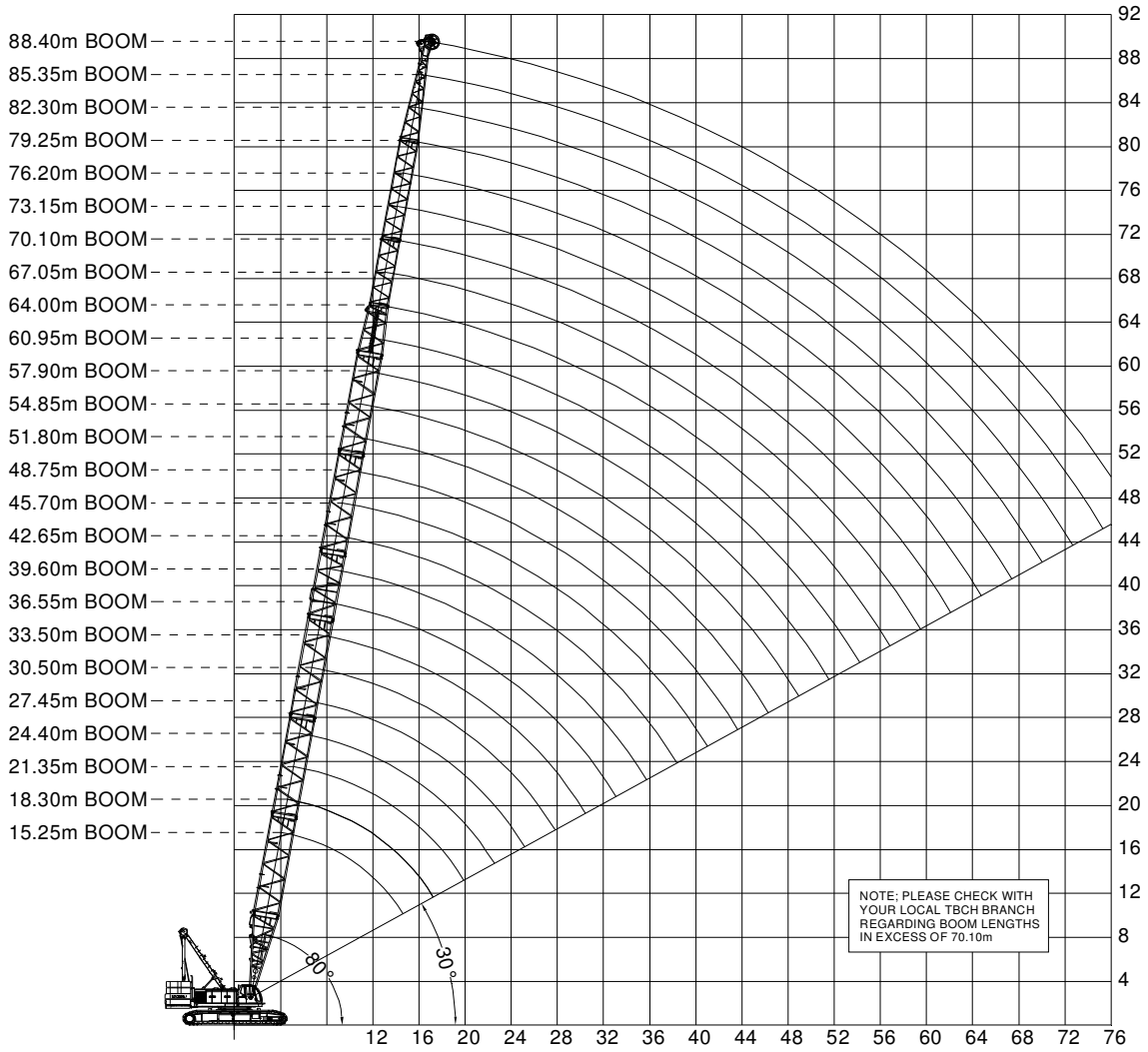
**MAIN BOOM TO 70.10m**



**HITACHI SUMITOMO SCX2500LF  
RANGE CHART**



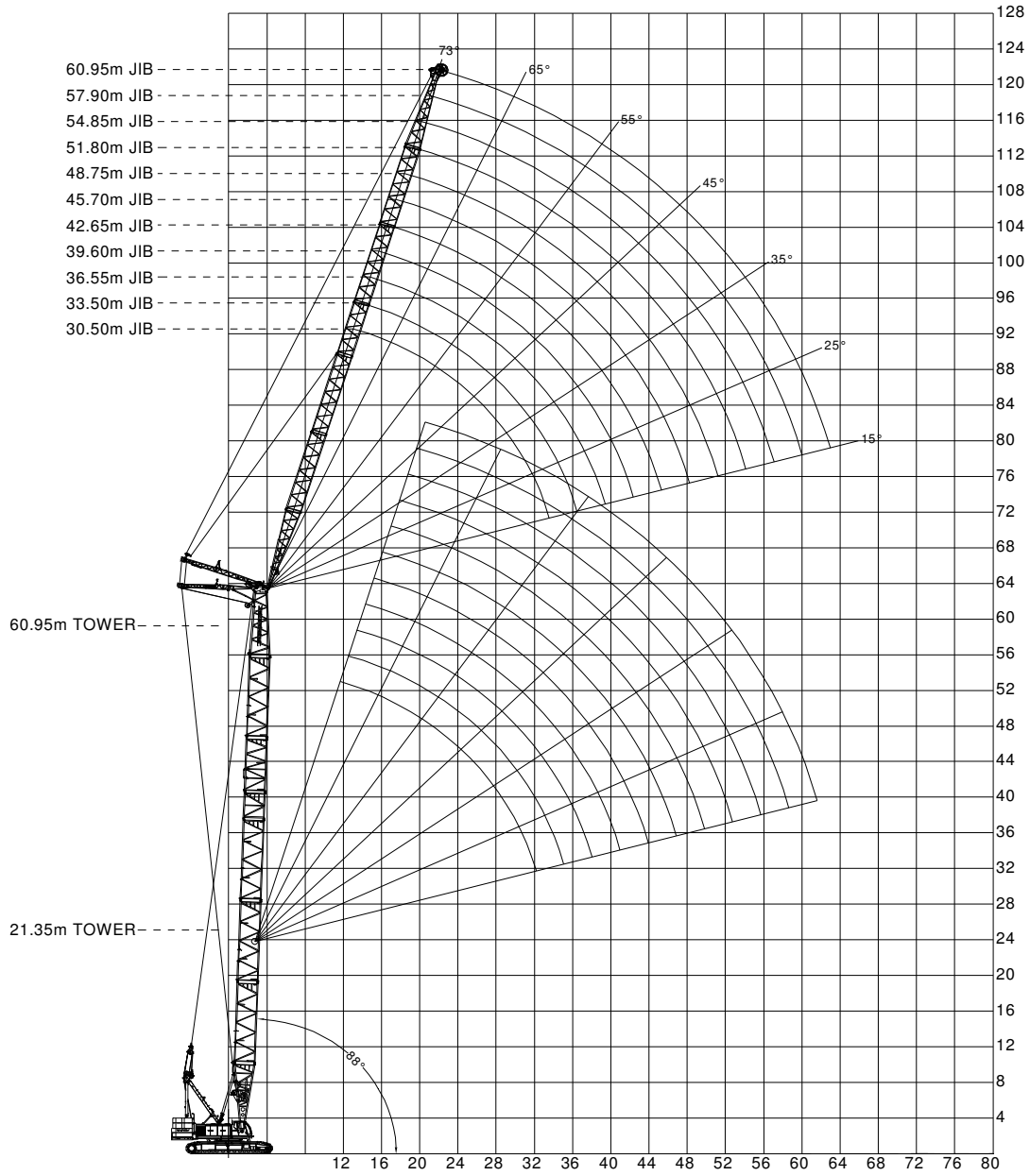
**MAIN BOOM TO 88.40m**



**HITACHI SUMITOMO SCX2500LF  
RANGE CHART - LUFFING TOWER CRANE**



**TOWER BOOM @ 88 deg**

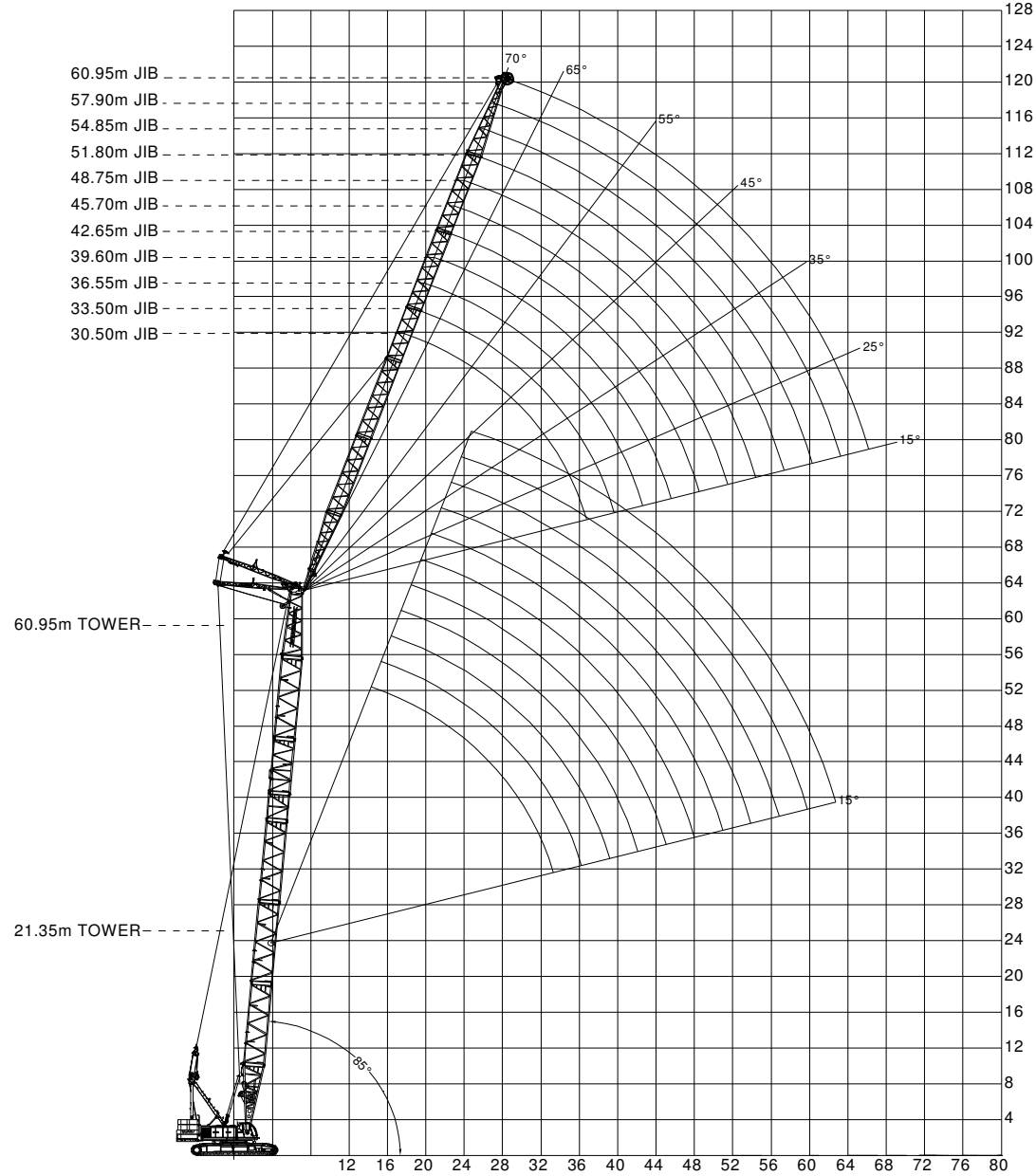


**HITACHI SUMITOMO SCX2500LF  
RANGE CHART - LUFFING TOWER CRANE**

**TUTT BRYANT**



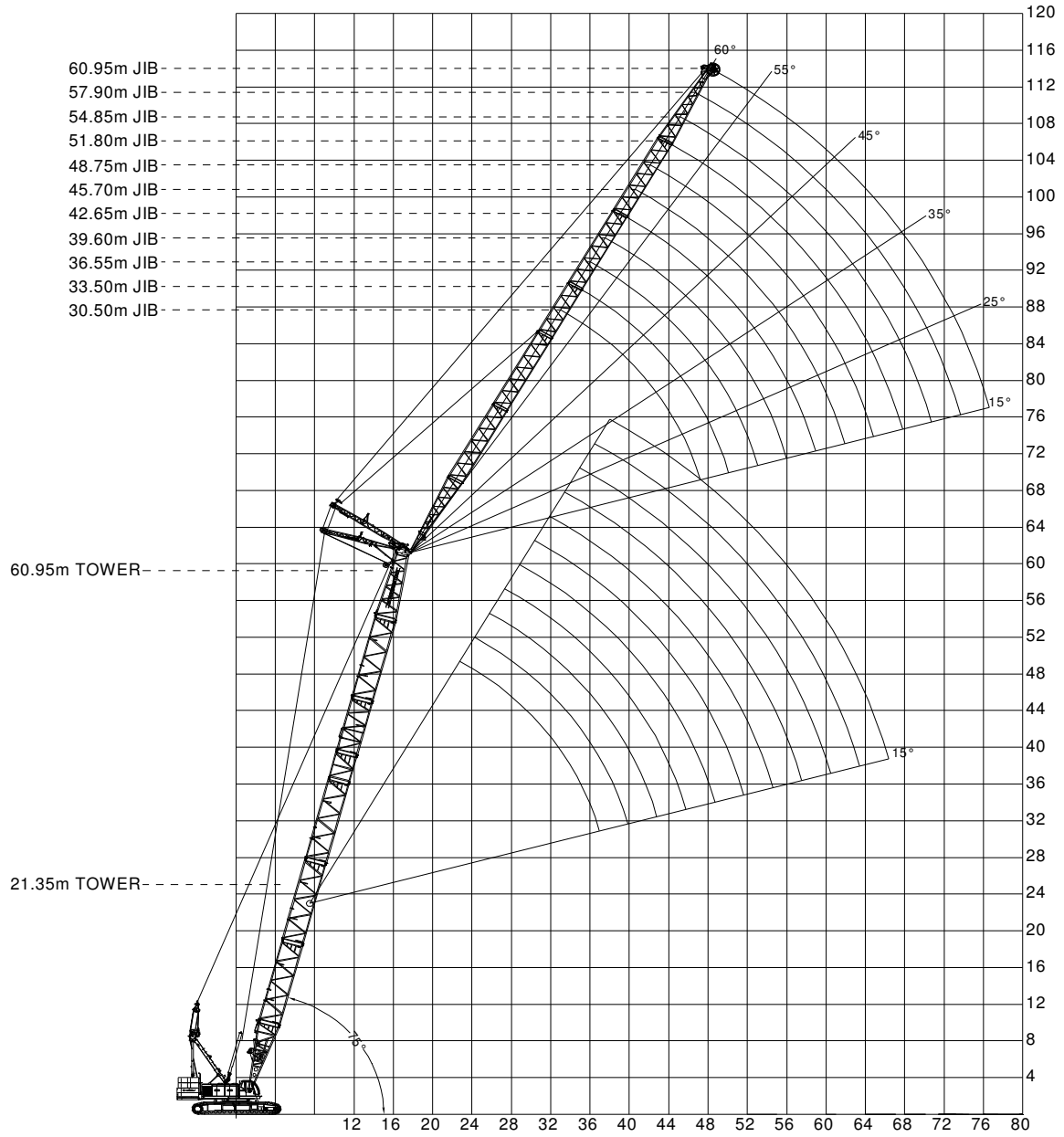
**TOWER BOOM @ 85 deg**



**HITACHI SUMITOMO SCX2500LF  
RANGE CHART - LUFFING TOWER CRANE**



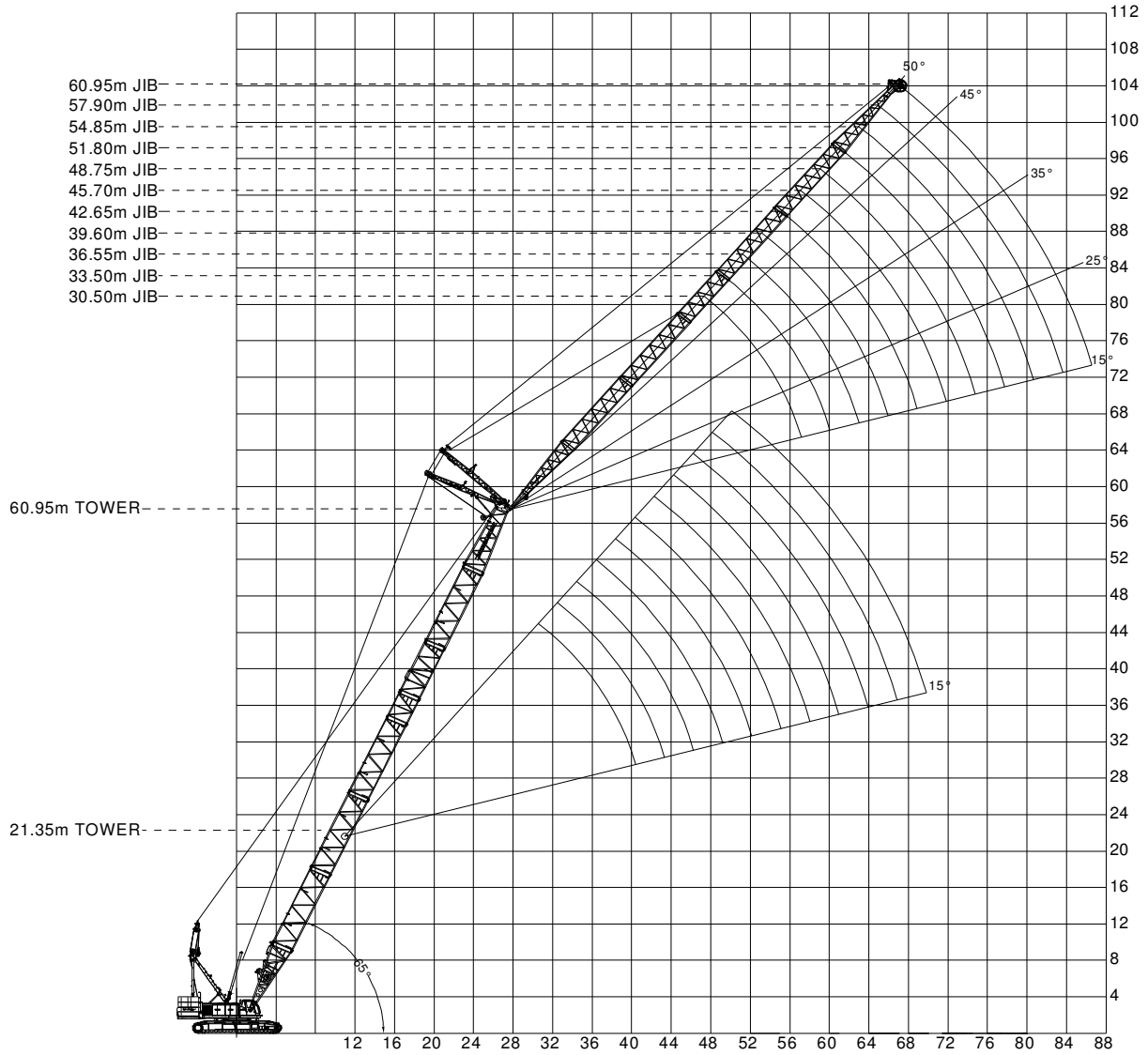
**TOWER BOOM @ 75 deg**



**HITACHI SUMITOMO SCX2500LF  
RANGE CHART - LUFFING TOWER CRANE**



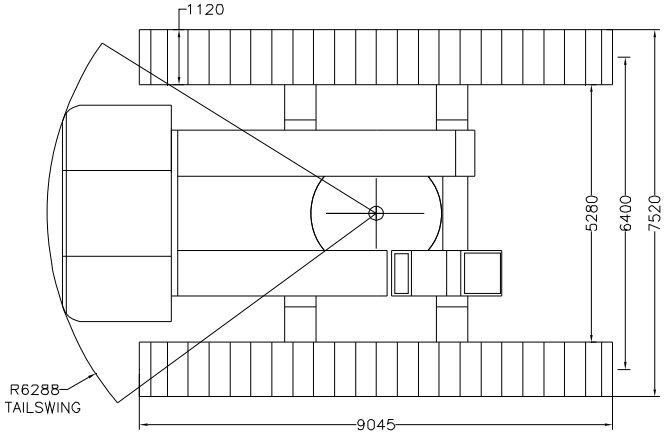
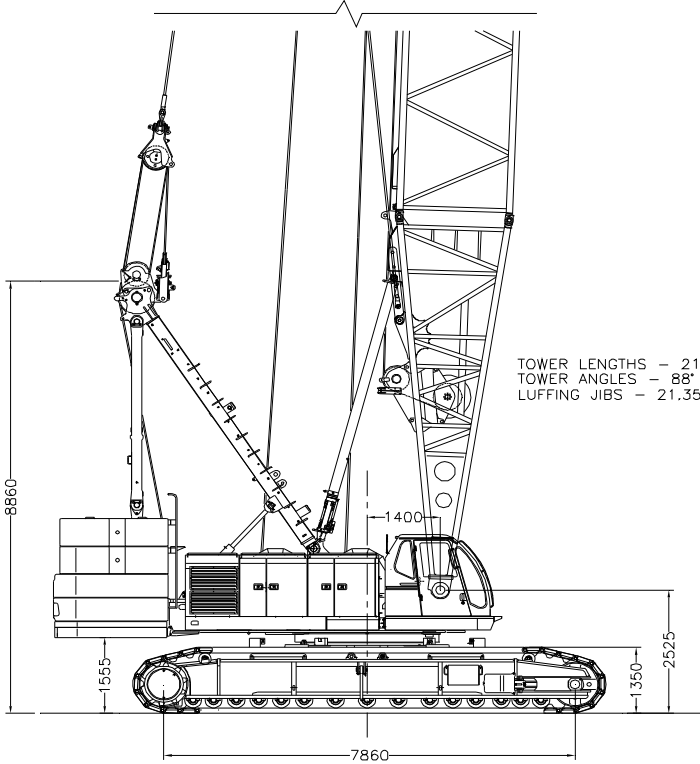
**TOWER BOOM @ 65 deg**





**HITACHI SUMITOMO SCX2500LF**  
**DIMENSIONS**

**TUTT BRYANT** 





## Tutt Bryant Heavy Lift & Shift Locations

### Western Region

Perth (South Guildford), WA  
 Ph: 08 9230 0500  
 Email: per@tuttbryant.com.au

Karratha, WA  
 Ph: 08 9143 0089  
 Email: karratha@tuttbryant.com.au

### Northern Region

Darwin (Berrimah), NT  
 Ph: 08 8924 1333  
 Email: dwn@tuttbryant.com.au

### Eastern Region

Brisbane (Ormeau), QLD  
 Ph: 07 5540 8700  
 Email: bne@tuttbryant.com.au

Sydney (Sydney Olympic Park), NSW  
 Ph: 02 9646 6000  
 Email: aces@tuttbryant.com.au

Melbourne (Dandenong), VIC  
 Ph: 03 9554 0300  
 Email: mel@tuttbryant.com.au

### Hunter Region

Muswellbrook, NSW  
 Ph: 02 6541 6444  
 Email: mck@tuttbryant.com.au

### Online

[www.tuttbryant.com.au](http://www.tuttbryant.com.au)



**TUTT BRYANT**  
 HEAVY LIFT & SHIFT

