



## HITACHI SUMITOMO SCX2500LF MAIN BOOM LOAD CHART





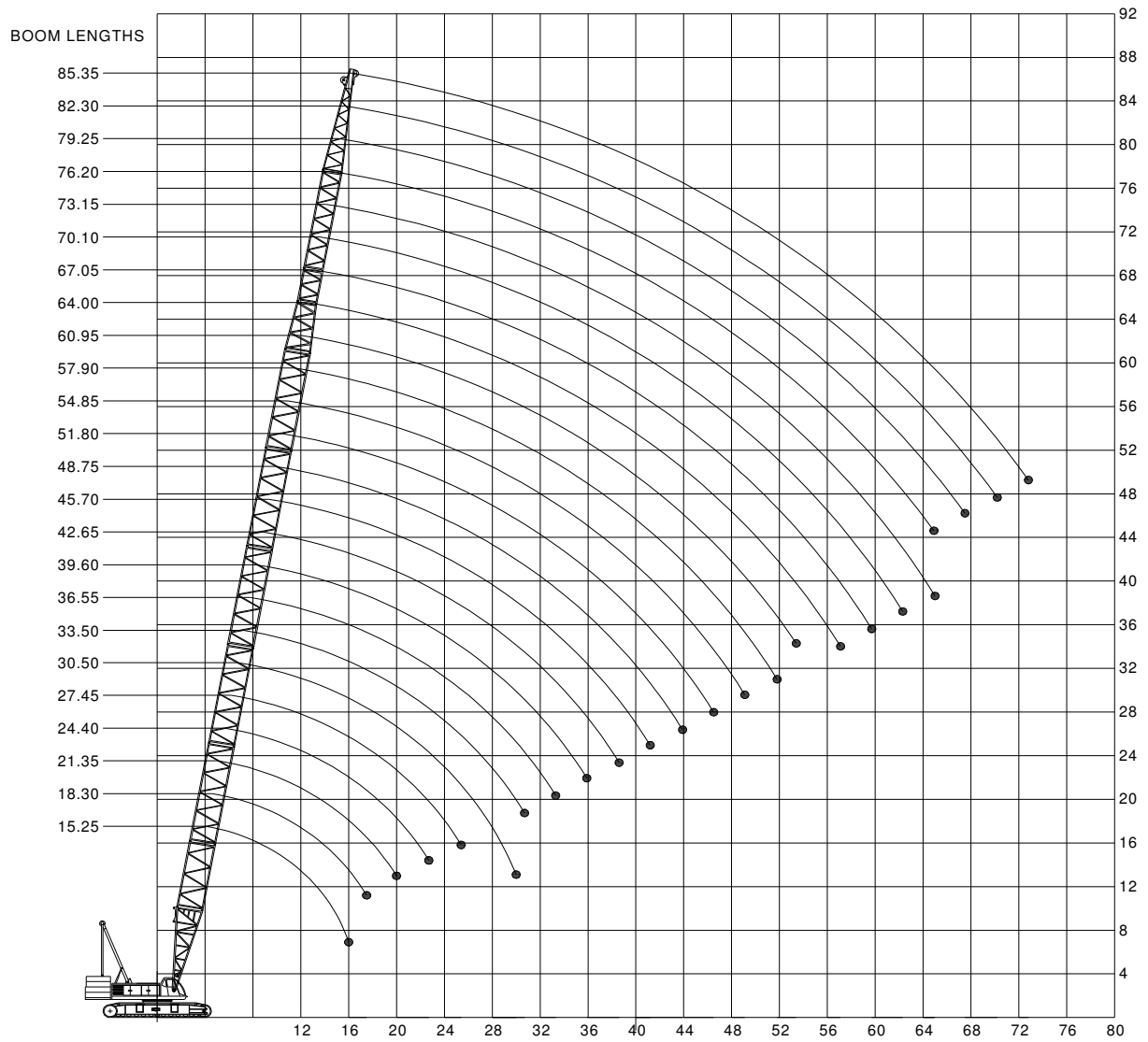
**SUMITOMO SCX2500 250t CRAWLER**  
 WITH 9.15m LIGHT TOP  
 WITH 0.96m SHORT JIB  
 PAGE 3 OF 3



**BOOM LENGTHS**

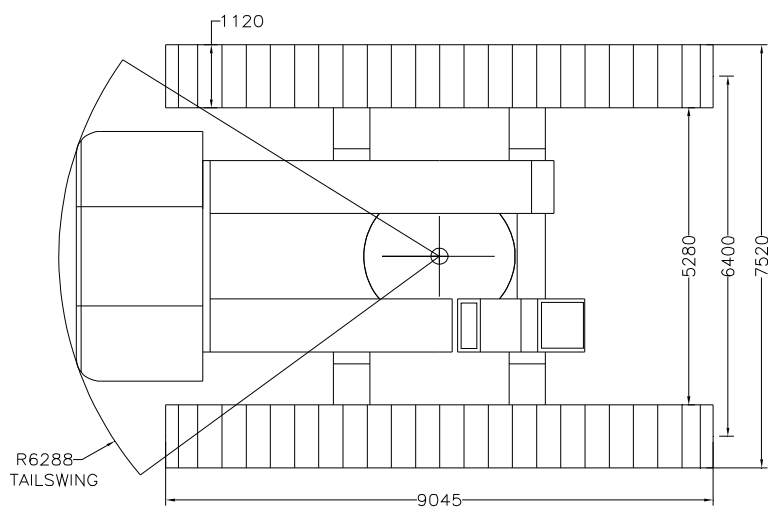
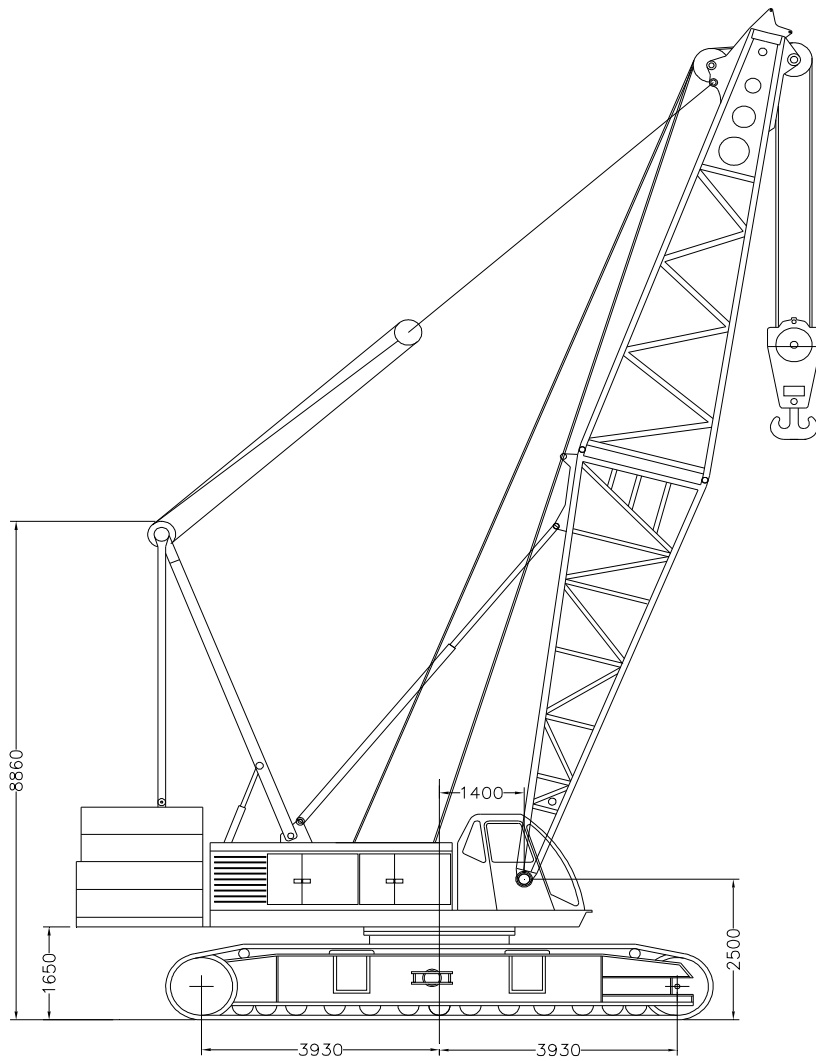
RADIUS	73.15	76.20	79.25	82.30	85.35
14.00	37.5/14.5	34.5/15.0	32.7/15.5		
16.00	35.90	33.50	32.10	31.5/16.1	25.0/16.5
18.00	34.30	31.70	30.40	28.60	25.00
20.00	32.90	29.60	28.30	27.00	25.00
22.00	30.50	27.80	26.40	25.80	25.00
24.00	29.20	26.70	25.30	24.50	23.00
26.00	27.00	25.20	24.30	23.50	22.00
28.00	24.20	23.90	23.10	22.40	21.00
30.00	21.70	21.70	21.60	21.30	19.90
32.00	19.70	19.60	19.50	19.60	18.80
34.00	17.80	17.80	17.70	17.70	17.60
36.00	16.30	16.20	16.10	16.10	16.20
38.00	14.80	14.80	14.70	14.70	14.80
40.00	13.60	13.50	13.50	13.50	13.50
42.00	12.50	12.40	12.40	12.40	12.40
44.00	11.50	11.40	11.30	11.30	11.40
46.00	10.60	10.50	10.40	10.40	10.50
48.00	9.70	9.70	9.60	9.60	9.60
50.00	9.00	8.90	8.80	8.80	8.90
52.00	8.30	8.20	8.1.	8.10	8.20
54.00	7.60	7.60	7.50	7.50	7.50
56.00	7.00	7.00	6.90	6.90	6.90
58.00	6.50	6.40	6.40	6.40	6.40
60.00	6.00	5.90	5.90	5.90	5.90
62.00	5.50	5.50	5.40	5.40	5.40
64.00	5.10	5.00	4.90	4.90	4.90
66.00	4.9/64.9	4.50	4.40	4.40	4.40
68.00		4.2/67.5	4.00	3.90	4.40
70.00			3.50	3.50	3.90
72.00			3.5/70.2	3.10	3.50
74.00				3.0/72.8	3.10
76.00					2.70
78.00					2.6/74.8

**SUMITOMO SCX2500 250t CRAWLER**  
**MAIN BOOM RANGE CHART**



**SUMITOMO SCX2500 250t CRAWLER**  
**DIMENSIONS**

**TUTT BRYANT**





## Tutt Bryant Heavy Lift & Shift Locations

### Western Region

Perth (South Guildford), WA  
 Ph: 08 9230 0500  
 Email: per@tuttbryant.com.au

Karratha, WA  
 Ph: 08 9143 0089  
 Email: karratha@tuttbryant.com.au

### Northern Region

Darwin (Berrimah), NT  
 Ph: 08 8924 1333  
 Email: dwn@tuttbryant.com.au

### Eastern Region

Brisbane (Ormeau), QLD  
 Ph: 07 5540 8700  
 Email: bne@tuttbryant.com.au

Sydney (Sydney Olympic Park), NSW  
 Ph: 02 9646 6000  
 Email: aces@tuttbryant.com.au

Melbourne (Dandenong), VIC  
 Ph: 03 9554 0300  
 Email: mel@tuttbryant.com.au

### Hunter Region

Muswellbrook, NSW  
 Ph: 02 6541 6444  
 Email: mck@tuttbryant.com.au

### Online

[www.tuttbryant.com.au](http://www.tuttbryant.com.au)



**TUTT BRYANT**  
 HEAVY LIFT & SHIFT

