

MANISCOPIC

■ MT 625 T





THE MANITOU POWER PACK

- Load capacity: 2500 kg
- Max. lifting height: 5.85 m
- Height: 1.92 m
- Width: 1.82 m
- 2 speed hydrostatic transmission

 **MANITOU**

MT 625 T


 **Lifting capacity**..... 2500 kg
at 500 mm from forks heels
Tipping load at max reach 1040 kg
Break out force
as per standard ISO 8313-1986 3427 daN


 **Lifting height**..... 5.85 m
Time: laden/unladen (in s)
Lifting 8/8
Lowering 5.4/5.3
Telescope
Extension 5.6/5.9
Retraction 4.3/4
Time unladen (in s)
Crowd 3.5
Dump 3.6


 **Front/rear tyres**
12-16.5 SKS CL TUBELESS

 **Forks (mm)**
Length 1200
Width x thickness 125 x 45


 **Oil immersed multidisc brake**

 **KUBOTA engine**
Type..... V3307-DI-T-E3B
Capacity..... 4 cylindres/3331 cm³
Power (ISO/TR 14396)
Turbo 75 hp/55.4 kW
Max. torque. (ISO/TR 14396) ... 265 Nm at 1400 tr/mn
Injection direct
Cooling water

 **Transmission**..... hydrostatic
Gear reverser electro - hydraulic
Speed forward and reverse..... 2/2

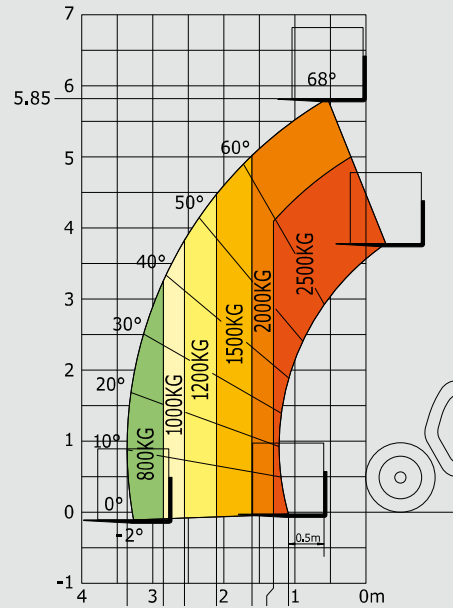
 **Hydraulics**
Gear pump 87.9 l./mn at 235 bar
Flow divider priority for steering

 **Capacities**
Cooling system 12 l.
Transmission oil 85 l.
Engine oil 11.2 l.
Fuel tank 63 l.

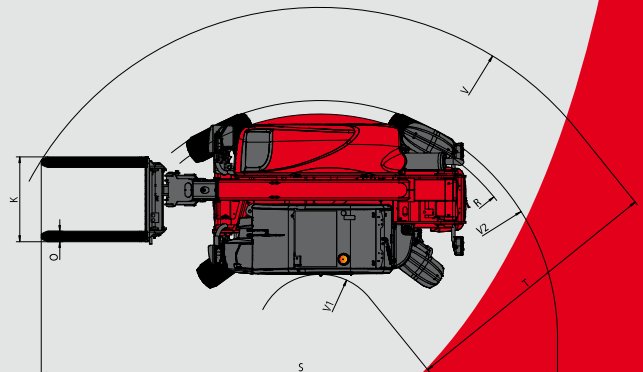
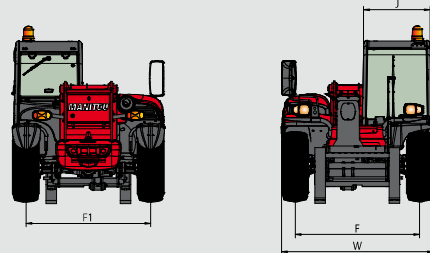
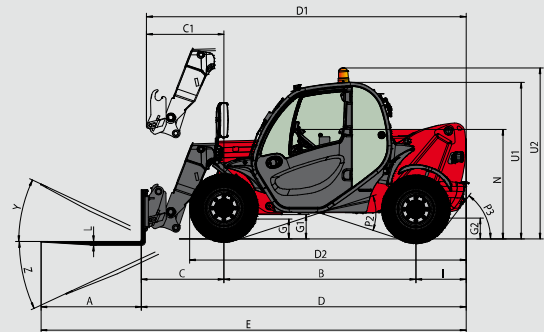
 **Empty weight (with forks)** 4710 kg
Overall **Width** 1.82 m
Overall **Height** 1.92 m
Turning radius (outer wheels) 3.30 m
Length at carriage 3.90 m
Ground clearance 0.33 m
Drawbar pull 4170 daN

The indicated specifications are not binding on the maker and may be modified without notice.
The Manitou trucks presented in this brochure may be fitted with optional items of equipment.

Maximum height reach: 0.66 m



As per standard EN 1459 Annex B



MT 625 T

A	1200
B	2300
C	991
D	3894
D1	3831
D2	3275
E	5094
F	1492
F1	1492
G	240
G1	330
G2	253
I	603
J	797
K	1015
L	45
N	1314
O	125
P2	37
P3	52
R	3150
S	6651.5
T	3935
U1	1920
U2	2054
V	4700
V1	765
V2	3310.5
W	1813
Y	11.8°
Z	116.5°

(mm)



MANITOU BF SA
B.P. 249 - 44158 Ancenis Cedex - France
Tel. : 33 2 40 09 10 11 / Export Department Fax : 33 2 40 09 10 97
www.manitou.com

700441EN_A_0210_MT625T.indd - BE527 Indice C

