

# MHP13AT/14AT

## TRAILER MOUNTED BOOM LIFTS



- Safe and stable working height of up to 13.5m
- Heavy duty trailer mounted articulated boom lift
- Robust steel platform with two man capacity
- Easy to use outrigger/boom safety interlocks
- Ideal for a wide range of applications

 **snorkel**  
[www.snorkellifts.com](http://www.snorkellifts.com)

## TRAILER MOUNTED BOOM LIFTS

# MHP13AT/14AT

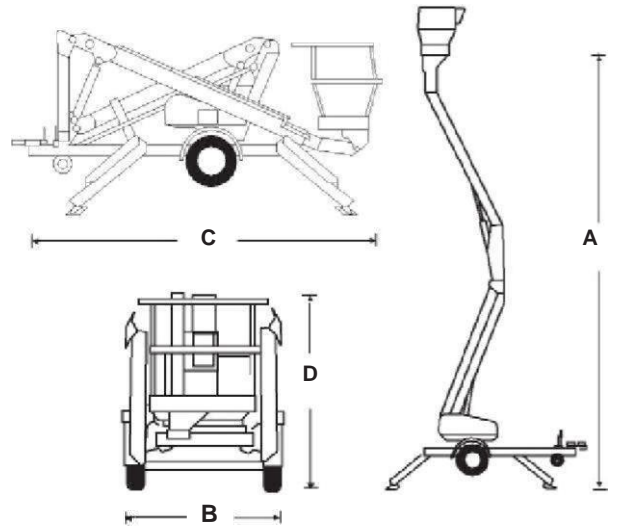
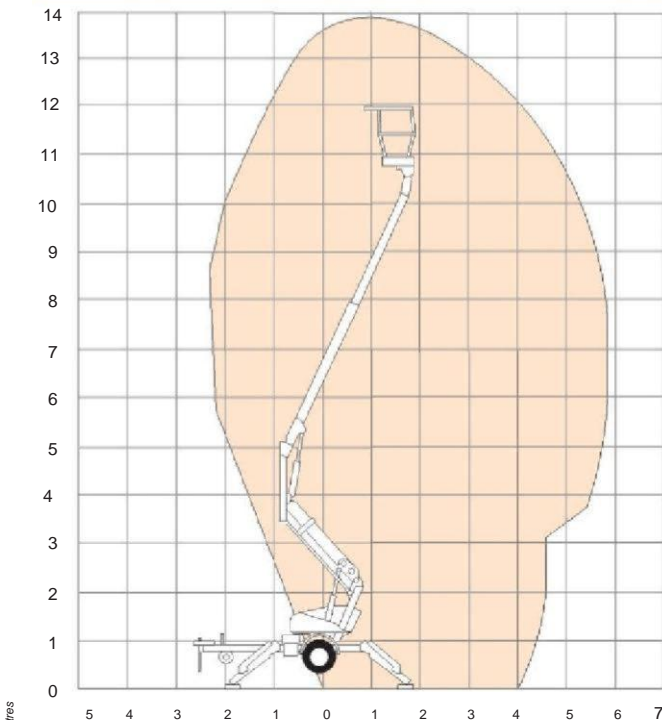
| DIMENSIONS                               | MHP13AT               | MHP14AT               |
|--|-----------------------|-----------------------|
| Max. working height                      | 12.9m                 | 13.5m                 |
| Max. platform height (A)                 | 10.9m                 | 11.5m                 |
| Horizontal outreach                      | 6.4m                  | 6.4m                  |
| Platform size                            | 1.25m x 0.78m x 1.07m | 1.25m x 0.78m x 1.07m |
| Overall width (outriggers extended)      | 3.6m                  | 3.6m                  |
| Overall width (outriggers retracted) (B) | 1.6m                  | 1.6m                  |
| Overall length (C)                       | 4.9m                  | 4.9m                  |
| Transport height (D)                     | 2m                    | 2m                    |

| PERFORMANCE           |                     |                     |
|-----------------------|---------------------|---------------------|
| Platform capacity     | 215kg               | 215kg               |
| Max. wind speed       | 12.5m/sec           | 12.5m/sec           |
| Platform Levelling    | Hydraulic           | Hydraulic           |
| Turntable rotation    | 540° non-continuous | 540° non-continuous |
| Tyres                 | 185 R14 102/100P    | 185 R14 102/100P    |
| Brakes                | Hydraulic disc      |                     |
| Trailer tongue weight | 80kg                | 80kg                |

| POWER        |              |              |
|--------------|--------------|--------------|
| Power source | Honda petrol | Honda petrol |

| WEIGHT       |         |         |
|--------------|---------|---------|
| Gross weight | 1,460kg | 1,460kg |

### WORKING ENVELOPE



### STANDARD FEATURES

- Heavy duty tow coupling
- Hydraulic stabilisers
- Solid platform
- Two person capacity
- Heavy duty jockey wheel
- Hydraulic disc brakes
- Reliable petrol engine
- Outrigger/boom safety interlocks
- LED taillights
- Hydraulic rotator
- Lifting lugs
- Platform foot switch
- Automatic self levelling stabilisers
- Spare wheel

### OPTIONS

- Custom colours
- Platform work lights
- Air line to platform
- Flashing light
- Height lockout (MHP14AT only)
- 240V 110V outlet in platform
- Battery isolate switch
- Diesel, electric and bi-energy options

**snorkel** [www.snorkellifts.com](http://www.snorkellifts.com)

2/26 Redfern Street,  
Wetherill Park,  
NSW 2164, Australia  
t: +61 1300 900 700  
e: sales.au@snorkellifts.com

