



YANMAR

TRUE ZERO TAIL SWING MINI EXCAVATOR

ViO12-2A

[Gross] 9.2kW <12.3HP>







Vi012-2A

**Precision control
in confined spaces**



**BUILDING
WITH YOU**

Features of Vi012-2A

Hydraulic Joystick Lever

Enhanced comfort and precision control.

[Page 11](#)

Digging Force

Outstanding bucket digging force.

[Page 10](#)

Extendable Blade

No tools required to change the width of the blade.

[Page 7](#)





Foldable ROPS* Bar

The protective structure that meets ISO standards, minimizes the damage in case of an accident.

YANMAR Engine YANMAR ORIGINAL

Powerful, reliable and efficient.

Page 8, 9

Walk-Through

Get on and off the machine from both sides.

Page 10

True Zero Tail Swing (without ROPS Bar)

Ensures safer operation on the tight job sites.

Page 6

Sliding Variable Undercarriage

Retracts to fit through narrow passages.
Extends for stable operation.

Page 7

* Roll-Over Protective Structure (ROPS): A structure to protect the operator wearing a seat belt, in case the machine rolls over.



Machine width : Min. **830mm** / Max. **1000mm**

Operating Weight
1265kg

True Zero Tail Swing (without ROPS Bar)

YANMAR pioneered the concept of a true zero tail swing mini excavator. The upper frame without ROPS Bar doesn't extend beyond the track width, enabling operator to tackle jobs more safely in tighter spaces.

Ultra Small Turning Radius

The super compact design features an ultra small turning radius of 650mm. It ensures safe operation in confined spaces.

Excellent performance in a small package



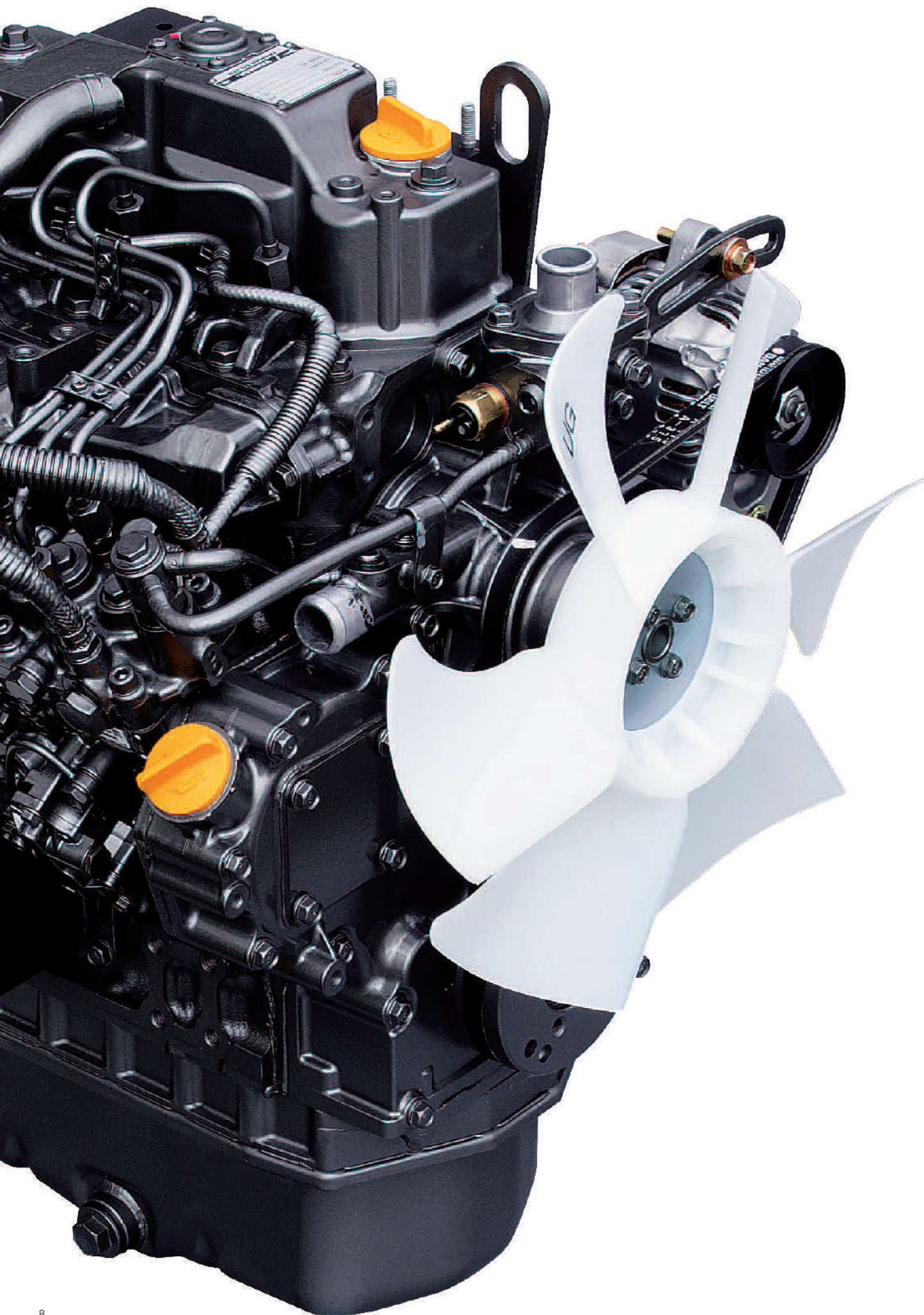
Sliding Variable Undercarriage

The undercarriage retracts to 830mm to fit through narrow passages and extends to 1000mm for stability while working.



Simple Folding Extendable Blade

The hinged blade extensions are permanently fixed to the blade. No tools required to change the width of the blade. No risk of losing the blade extensions.



Reliable YANMAR engine designed to deliver powerful output and fuel efficiency

YANMAR Engine

Equipped with powerful and low-noise 3-cylinder YANMAR engine.
3TNV70 delivers a power of 9.2kW and has a torque of 52Nm.
It delivers excellent digging and hydraulic performance.

Model **3TNV70-WBVB** Output (Gross) **9.2kW**



High Performance Engine

High performance engine provides a powerful boost for tough works.



Clean and Low-Noise

Ultra-low noise design, friendly to people and the environment.

Powerful and efficient



P.T.O. Hydraulic Line

Standard P.T.O. hydraulic line delivers excellent performance for demolition job application.

Outstanding Digging Force

ViO12-2A packs unmatched break-out force that enables you to tackle any tough jobs.

Bucket digging force:

13.7 kN

Walk-Through

A walk-through enables operator to get on and off the machine from both sides. It is highly efficient when operating right next to the wall.



Comfortable operator space



1
Hydraulic Joystick Lever

Equipped with joysticks on both sides of the seat. They enhance operator comfort and deliver precision control.



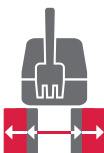
2
Hydraulic P.T.O. Control

Hydraulic P.T.O. line is controlled by pedal. It is excellent for long demolition job application.



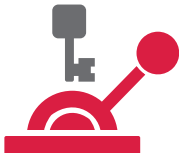
3
High Speed Travel Switch

Save time by traveling faster around your job site.



4
Sliding Variable Undercarriage Control

It is easy to retract or extend the undercarriage with touch of lever.



5
Safety Lock Lever

To prevent from accidental operations, all operations can be locked by pulling the safety lever.



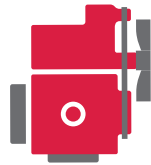
Foldable ROPS Bar

Foldable ROPS bar minimizes the damage in case of an accident. Folds down to allow pass through height restricted passages.





Easy maintenance



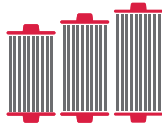
Engine, Air Cleaner, Radiator

A large tilting bonnet allows quick access to main components.



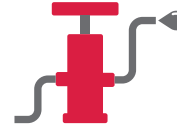
Battery, Fuel and Hydraulic Tanks

A wide opening enables easy access to daily maintenance.



Engine Oil Filter, Fuel Pre-Filter

The floor cover is easily removed to access filters.



Hydraulic Components, Return Filter

The left-hand side steel cover can be easily removed to access hydraulic components and return filter.

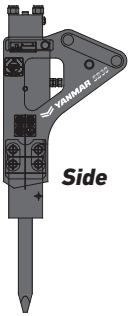
Attachments

YANMAR Hydraulic Breaker

A wide range of hydraulic breakers are available for demolition applications. Each model delivers reliability, productivity and durability. Refer to breaker's catalog for more information.



Product Lineup



Side



Pin Mounted



Cap Mounted



Box Housing
(Silenced)

YANMAR's recommended parts

ecoY
GUARANTEED QUALITY & DURABILITY



Watch the video



ecoY Bucket Tooth-Adapter



ecoY Idler



ecoY Rubber Track



ecoY Rubber Pad



ecoY Carrier Roller

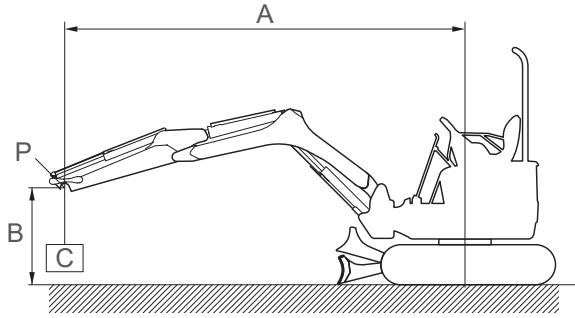


ecoY Sprocket



ecoY Track Roller

Lifting Capacity



With: ROPS bar and rubber track
Without: Bucket

A: Reach from swing center line [m (in.)]

B: Load point height [m (in.)]

C: Lifting load [kg (lbs.)]

P: Load point

: Rating over front

: Rating over side or 180 degrees

Loads shown in table include weight of standard bucket [20kg (44lbs.)].

Unit: kg (lbs.)

Blade on ground [Track width : 1000mm (extended)]

A [m (in.)]	Max.		2.0 (78.7)		1.5 (59.1)		Min.	
B [m (in.)]								
2.0 (78.7)	*230 (507)	150 (331)	-	-	-	-	*210 (463)	-
1.5 (59.1)	*240 (529)	110 (243)	*230 (507)	*230 (507)	-	-	*260 (573)	*230 (507)
1.0 (39.4)	*240 (529)	100 (220)	*300 (661)	200 (441)	*450 (992)	300 (661)	*540 (1190)	360 (794)
0.5 (19.7)	*250 (551)	100 (220)	*380 (838)	190 (419)	*640 (1411)	280 (617)	*650 (1433)	310 (683)
0 (0)	*270 (595)	100 (220)	*410 (904)	190 (419)	*650 (1433)	270 (595)	*730 (1609)	370 (816)
-0.5 (-19.7)	*280 (617)	120 (265)	*430 (948)	190 (419)	*600 (1323)	270 (595)	-	-
-1.0 (-39.4)	*300 (661)	160 (353)	-	-	*470 (1036)	260 (573)	-	-

Blade above ground [Track width : 1000mm (extended)]

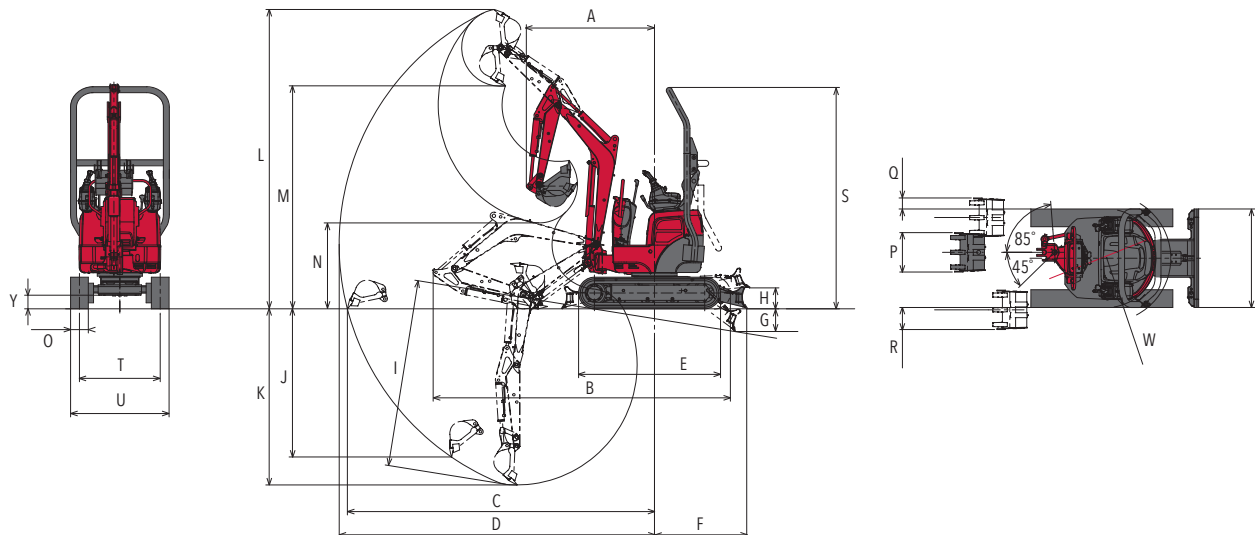
Unit: kg (lbs.)

A [m (in.)]	Max.		2.0 (78.7)		1.5 (59.1)		Min.	
B [m (in.)]								
2.0 (78.7)	190 (419)	150 (331)	-	-	-	-	*200 (441)	-
1.5 (59.1)	150 (331)	110 (243)	*220 (485)	*230 (507)	-	-	220 (485)	*230 (507)
1.0 (39.4)	140 (309)	100 (220)	*300 (661)	200 (441)	380 (838)	300 (661)	480 (948)	360 (794)
0.5 (19.7)	130 (287)	100 (220)	230 (507)	190 (419)	340 (750)	280 (617)	370 (816)	310 (683)
0 (0)	140 (309)	100 (220)	230 (507)	190 (419)	330 (728)	270 (595)	430 (948)	370 (816)
-0.5 (-19.7)	160 (353)	120 (265)	240 (529)	190 (419)	330 (728)	270 (595)	-	-
-1.0 (-39.4)	200 (441)	160 (353)	-	-	310 (683)	260 (573)	-	-

Note:

The lifting load with the asterisk (*) mark is limited by hydraulic lifting capacity rather than tipping. The lifting capacity shown in the above list is based on the ISO Standard No. 10567 and represents either 87% of hydraulic lifting capacity or 75% of tipping load, which is smaller.

● Dimensions



Rubber track specification

Unit: mm (in.)

	A <at boom swing>	B	C	D	E	F	G	H	I	J	K	L	M	N	O	P	Q	R	S	T	U	V	W	Y
ViO12-2A	1300 (51.2)	3020	3120	3200	1440	940	230	215	1900	1500	1790	3040	2260	870	180	400	120-205	225-310	2250	650-820	830-1000	830/1000	650	140
ROPS bar	<1050 (41.3)>	(118.9)	(122.8)	(126.0)	(56.7)	(37.0)	(9.1)	(8.5)	(74.8)	(59.1)	(70.5)	(119.7)	(89.0)	(34.3)	(7.1)	(15.7)	(4.7-8.1)	(8.9-12.2)	(88.6)	(25.6-32.3)	(32.7-39.4)	(32.7/39.4)	(25.6)	(5.5)

● Specifications

MODEL													ViO12-2A										
TYPE													ROPS bar										
													Sliding variable undercarriage										
WEIGHT	Operating weight		Rubber track		kg (lbs.)		1265 (2790)																
			Steel track		kg (lbs.)		-																
ENGINE	Type		Vertical 4 cycle water-cooled diesel engine																				
	Model		3TNV70-WBVB																				
	Rated output, gross		kW (HP) / rpm		9.2 (12.3) / 2000																		
BUCKET	Capacity, standard		cu.m (cu.ft)		0.028 (0.99)																		
	Width, standard		mm (in.)		400 (15.7)																		
	Max. digging force		Bucket		kN (lbs.)		13.7 (3087)																
			Arm		kN (lbs.)		6.6 (1477)																
	Max. digging depth <at the blade down>		mm (in.)		1790 (70.5)																		
	Max. vertical wall digging depth		mm (in.)		<1900 (74.8)>																		
PERFORMANCE	Max. cutting height		mm (in.)		1500 (59.1)																		
	Max. dumping height		mm (in.)		3040 (119.7)																		
	Max. digging radius of the ground		mm (in.)		2260 (89.0)																		
	Front min. swing radius <at swinging the boom>		mm (in.)		3120 (122.8)																		
	Boom swing angle: left / right		degrees		1300 (51.2)																		
					<1050 (41.3)>																		
SPEED	Travel speed: high / low		Rubber track		km/h (mph)		4.0 (2.2) / 2.1 (1.3)																
			Steel track		km/h (mph)		- / -																
	Swing speed		rpm		10.0																		
GROUND PRESSURE	With standard track		Rubber track		kPa (PSI)		28.0 (4.1)																
			Steel track		kPa (PSI)		-																
TANK CAPACITY	Fuel tank		L (gal)		12.0 (3.2)																		
	Hydraulic oil tank		L (gal)		7.4 (2.0)																		
HYDRAULIC SYSTEM	Pump displacement		L / min (gpm)		11.0 (2.90)×2 <Variable displacement pump>																		
	Relief set pressure		MPa (PSI)		6.0 (1.58)×1 <Gear pump>																		
	Max. P.T.O. output		L / min (gpm)		20.6 (2986)×2, 2.45 (355)×1																		
					5.8 (22.0)																		

All data are subject to change without notice. Note that the standard equipment may vary. Consult your YANMAR dealer for confirmation.

YANMAR COMPACT EQUIPMENT



yanmar.com