

# BEST PREPARED FOR FUTURE CHALLENGES.

BC 873 / BC 973 / BC 1173 RB-5.





# OUR SIGNATURE: MILLIONS OF TONS COMPACTED.

Any contractor who wants to carry out large earthwork projects or manage landfill sites needs to be able to do one thing above all: compact. And to help you achieve the best results, we build the best machines. For over 60 years, our company's history has also been part of compaction technology history. BOMAG soil and refuse compactors are the perfect machines for every task.

With our cumulative expertise we drive innovation and set the pace of an entire industry, also in the field of soil and refuse compaction. At the same time we have developed many new technologies and focus on cost-effectiveness: The refuse compactor's unique polygonal ring wheels,

which ensure optimum crushing, and BOMAG's special compaction concept with scrapers and toothed wheels make the machines ideal for any situation. Our globally active specialists and our partners in more than 150 countries are there to support you from the initial machine configuration to the solution of the most demanding challenges.

We owe our power of innovation to more than 2,500 committed employees worldwide. This expertise has made us the world market leader in compaction. Driven by our unconditional commitment to quality: during product development and production, in training our employees, and in providing a level of service which guarantees only the best on-site support.









# REFUSE COMPACTOR BC 873/973/1173 RB-5: COMPACTION FOR THE TOUGHEST SITES.

We always strive to be better and meet the highest standards. The intelligently revised machine concept sets new standards in this machine class. Many new major and minor features that make life easier and more efficient – such as the hydraulically operated engine hood and high air intake – make BOMAG landfill compactors a reliable and efficient partner for all landfill sites.

The basis for a landfill's profitability is optimum capacity utilisation, which includes the best possible compaction of all waste materials. BOMAG refuse compactors achieve this requirement because they have been specifically designed to work under the extreme conditions found on landfill sites.





# THE FORMULA FOR SUCCESS: POWER AND EFFICIENCY.

- **Efficiency:** low fuel consumption means low operating costs
- **Power:** high output diesel engines provide ample power for all conditions
- **Cost-efficiency:** intelligent design produces cost-effective compaction with minimum maintenance work
- **Ergonomics** easy access to important service points on a daily basis or for scheduled maintenance
- **Versatility:** optimally sized models for a wide variety of sites
- **Value retention:** durable technology and the highest manufacturing quality ensure high resale values
- **Protection:** warranty options and maintenance contracts that suit your needs





# FIRST-RATE COMPACTION.

## APPRECIATED: DELUXE CAB

- Efficient and user-friendly operating concept
- Adjustable armrests
- Optimal all-round visibility with blind spot check and rear-view camera
- Reduced noise level

## PERFECTLY ADJUSTED: HYDROSTATIC TRAVEL SYSTEM

- Power limit control for optimal performance
- Automatic and infinitely variable for highest efficiency





## HIGH AIR INTAKE POSITION: MINIMAL CLEANING REQUIREMENTS

- Air intake in the area with the lowest dust load
- Speed-controlled reversible cooling fan for constant cooling capacity at highest efficiency (cooling on demand)

## MADE EASY: SERVICE AND MAINTENANCE

- One-piece engine hood with electric over hydraulic opening provides access to all components
- Daily inspection performed on one side of the machine

## GREATER EFFICIENCY: ENGINE TECHNOLOGY

- Highly efficient engine technology
- ECOMODE efficiently regulates performance according to requirements
- ECOSTOP avoids unnecessary idle times

## FUNCTIONAL: PLATFORMS AND STEPS

- Open, sturdy design stays clean and safe
- Safe service and maintenance

## WELL-THOUGHT OUT: THE BOMAG COMPACTION CONCEPT

- Wheels with polygon profile rings and teeth for optimal crushing and kneading
- Scrapers ensure clean tools and constant compaction performance
- Wire cutters prevent wires and ropes from becoming entangled and reduce the cleaning effort

## RELIABLY ON THE GROUND: OSCILLATING ARTICULATED JOINT

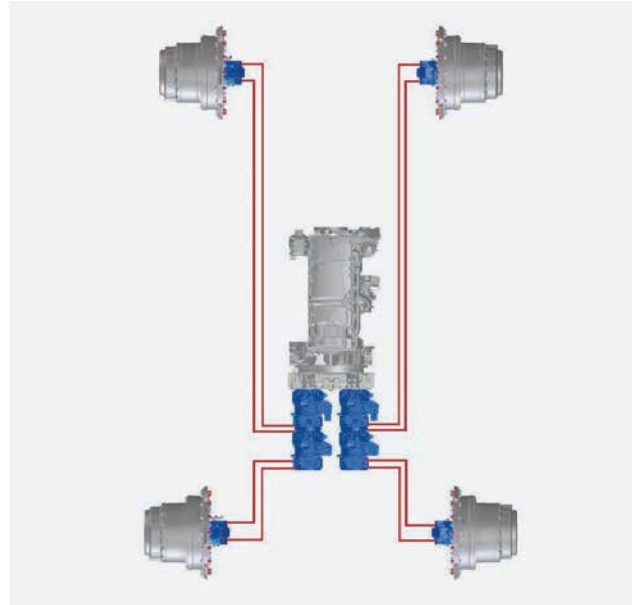
- Best adaptation to the landfill surface through  $\pm 15^\circ$  oscillation
- Best traction and homogeneous compaction
- Optimal climbing power and landfill stability



# DRIVE TRAIN. EFFECTIVE POWER.

Directly adjusted speed, outside – inside, front – rear: optimum grip without slippage when cornering. Only our drive system can do this. Thanks to the quad pump system, the pumps are controlled according to the curve radius and provides the appropriate speed directly to each individual wheel.

- Matching drive train for each weight
- Quad Pump Drive
- Efficient high-pressure drive train
- Fewer components for highly efficient systems
- Load limit control
- ECOMODE



Quad Pump Drive.



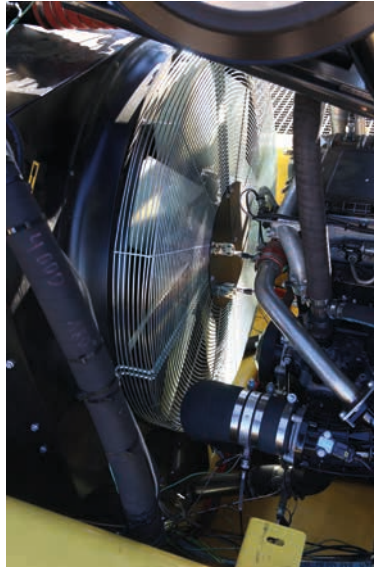
Quad Pump Drive.



# EMISSION STAGE V / TIER4 FINAL

## BC 873/973/1173 RB-5.

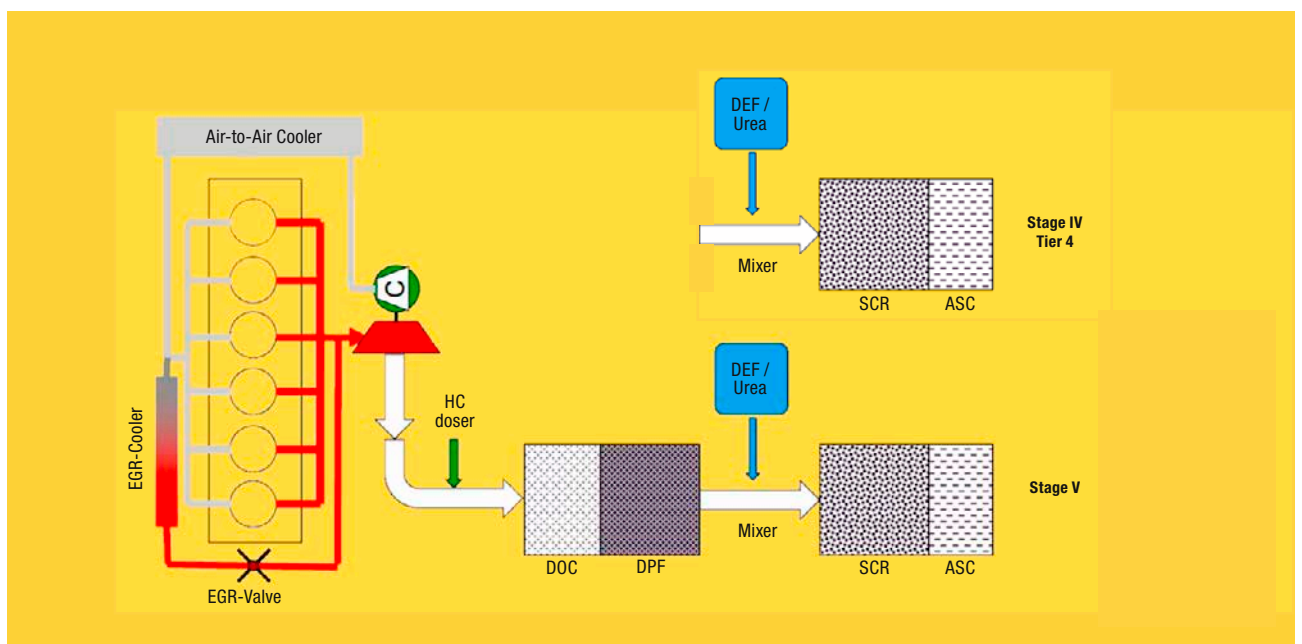
- This well-designed and powerful turbo diesel engine uses the latest technology to provide power for all site situations with low fuel consumption
- Intercooler
- High-pressure direct fuel injection
- State-of-the-art technology in proven quality
- Global distribution and service
- Excellent fuel efficiency
- Lower operation costs
- Low vibration 6-cylinder in line engine
- Temperature-governed cooling system with speed regulated and reversible fan for highest efficiency
- Long maintenance intervals
- Turbo Compound system, which delivers energy mechanically to the crankshaft via the turbocharger (BC 973 /1173)



Intelligent cooling.



OM 473 LA proven reliability (BC 973/1173 RB-5).  
OM 471 LA proven reliability (BC 873 RB-5).



Exhaust after-treatment system.



# SUSTAINABILITY MEANS MORE THAN “GREEN”.

*As the market leader in compaction technology, BOMAG places great emphasis on factors that influence sustainability. These include the efficient use of natural resources in production and on the landfill site. With this in mind, BOMAG focuses on sustainability in the development and manufacture of its range of refuse compactors.*

## **RECYCLABLE MATERIALS.**

In the market of refuse compactors, it is important to present sustainability in a positive light and back it up with facts for the tendering process. BOMAG selects the raw materials with the highest recycling potential – BOMAG refuse compactors are over 92% recyclable.

## **EFFECTIVE DRIVE TECHNOLOGY.**

BOMAG refuse compactors operate with a high-pressure hydraulic system. This has only a few components in the drive train, resulting in high efficiency with low energy consumption. Speed-controlled radiator fans provide an adapted air flow to cool the engine and save approx. 5% fuel.





### **LOW EMISSIONS.**

Thanks to the early adoption of emission regulations, BOMAG has many years of practical experience with efficient systems. The intelligent BOMAG cooling system in conjunction with the latest engine technology brings tangible benefits to users. All BOMAG refuse compactors are equipped with engines that comply with current emission regulations. BOMAG continues to meet the challenges of modern environmental protection while delivering powerful and efficient technology.

### **REDUCED POLLUTION.**

Thanks to the excellent cooling system, BOMAG refuse compactors operate extremely quietly and provide a good working environment for the operator and the surrounding area. Dust and gas contamination is reduced to a minimum by the cabin filter system.





# EASY WORK: TRANSFER AND DISTRIBUTING.

The basis for good compaction is the distribution of refuse into suitable layer thicknesses. For an even distribution, the operator needs precision machines, high thrust forces and traction. All standard on BOMAG refuse compactors.

The joystick is simple to use and stress-free, which means great precision during long shifts. The smooth hydrostatic drive converts the power of the water-cooled turbo diesel engine into high output power. The load limit control auto-

matically adjusts travel speed to the load to make optimum use of the available power. A unique feature is the oscillating articulated joint, which is designed for the toughest loads and stresses in landfill operation. The joint allows  $\pm 15^\circ$  oscillation and  $40^\circ$  steering between the front and rear frame. The result is that all wheels maintain contact with the ground to ensure optimum compaction, safety and traction.



High pushing power.



Oscillating articulation joint



Wheels stay clean.



Hydraulic Quad Pump Drive with load limit control for best performance.



# ALL-ROUND PERFORMANCE.

## DOZER BLADES.

- Robust box design
- Dozer blade with grid attachment for good all-round visibility
- Rotatable two-edged cutting blades
- Straight blade
- Semi-U-blade for 10% better pushing performance



Straight and open blade.



Semi U-blade.



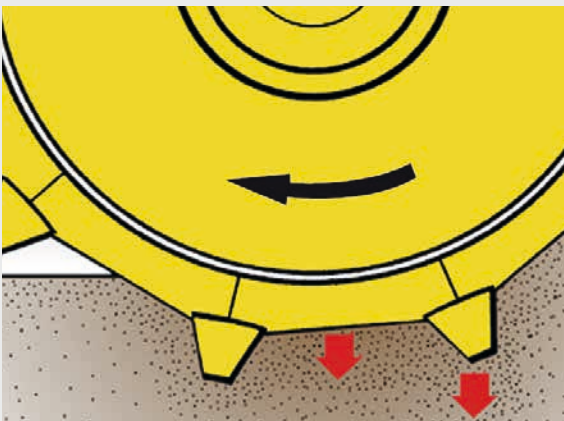
# KEY COMPETENCE FOR YEARS: COMPACTION.

The best compaction result is achieved when the material is evenly distributed – BOMAG's core competence. Compaction has a significant impact on the lifetime of any landfill. With the high investment in waste disposal sites, every additional cubic metre that is filled is money in the bank.

BOMAG's compaction concept with scrapers and wheels with rows of teeth guarantees continuous clean work.

Because only clean tools can maintain consistent compaction and traction. The oscillating articulation joint ensures optimum load distribution to all 4 wheels. Thanks to wheel offset, the area is completely covered. Gaps left by the wheels are completely closed on the second pass.

With its wheel geometry and scraper beams, BOMAG refuse compactors achieve optimum and homogeneous compaction as well as perfect landfill stability.



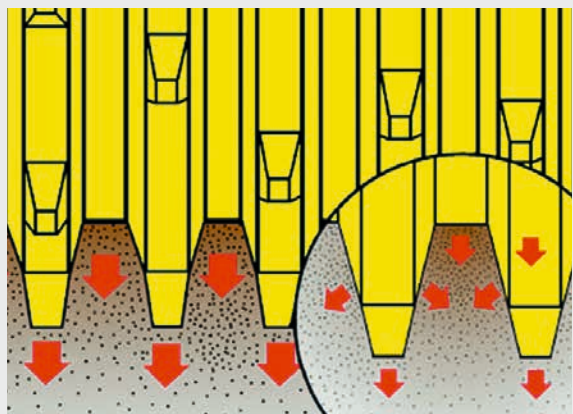
Polygon ring wheels with compressor teeth for crushing, kneading and effective compaction at depth.



Optimum compaction with the oscillating joint, providing good load distribution to the compaction wheels.



Scrapers ensure clean wheels and high compaction.



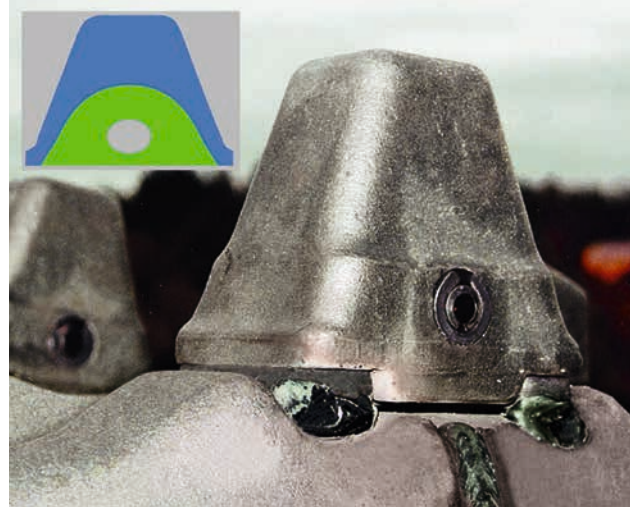
Additional lateral forces increase compaction.



# MAKING THE DIFFERENCE: OUR TOOLS.

## **BOMAG WHEELS WITH PIN-ON TEETH (BC 873).**

- Welded wheel bodies with inner taper on both sides for optimum stability
- Specially shaped polygon compaction segments with welded on cap holder and pin-on caps
- High-quality, easy to replace pin-on caps for optimal refuse crushing and compaction



BOMAG wheels with pin-on caps (available for BC 873 RB-5 only).

## **BOMAG WHEELS WITH WELD ON TEETH (BC 973 / 1173).**

- Welded wheel bodies with inner taper on both sides for optimum stability
- Specially shaped polygon compaction segments with welded-on replacement cap to support compaction
- High-quality, forged teeth for optimal refuse crushing and compaction



BOMAG wheels with weld on teeth.

## **BOMAG WHEELS WITH PREMIUM TEETH (BC 873 / 973 / 1173).**

- Wear warranty of 10,000 working hours (pro rata) on teeth
- Welded wheel bodies with inner taper on both sides for optimum stability
- Reinforcement welded to the inner wheel edges for longer life in combination with the wire cutters
- Specially shaped polygon compaction segments with welded-on replacement cap holders to support compaction
- Compaction teeth made of highly wear-resistant cast composite for a longer service life



BOMAG wheels with premium teeth.



# ACHIEVING TOP PERFORMANCE IN A RELAXED AND FOCUSED ENVIRONMENT.

Warning: Your employee might not even notice the change of vehicle when starting the shift. Working here feels like being in your own car. The spacious cabin with outstanding sound and vibration insulation and the air-suspended seat are responsible for this. Thanks to obstruction-free all-round visibility, a clear view, whether up close or from a distance, is also possible when glancing backwards over the shoulder. The ergonomic operating position and continuous support rail for both feet make for a comfortable working environment. The armrests are individually adjustable.

In the ups and downs of everyday landfill operation, sitting comfortably is particularly important for the operator's performance. This is why BOMAG has developed completely new seat consoles for the new generation of waste compactors that provide optimum support for the body. The wide seat and joysticks arranged at appropriate distances guarantee optimum freedom of movement. Getting in and out is now even more convenient – as the ROPS is now positioned behind the cabin, the door is higher and you no longer have to duck.



Inviting: spacious and well-arranged workplace.

The automatic heating and air-conditioning system included as standard ensures optimum climate control in the driver's cabin on both cold and hot days.



Automatic heating and air-conditioning unit control panel.



# PLEASE TAKE A SEAT.



Almost like at home: when it comes to ergonomics, the comfortable seat can almost rival the couch at home.



Having the upper hand: with two joysticks the landfill is firmly under control.



# LOVE AT FIRST SIGHT: THE OPERATING CONCEPT.



Travel.



Work.

## SAVEABLE DOZER BLADE POSITIONS.

Here, you only have to remember what is required – dozer blade positions that are repeatedly accessed are remembered by the machine after saving just once.

The blade is operated via the traditional joystick. Additionally there is now a mini joystick, which can be used. This makes the operation of the machine even more comfortable as the movements of the forearm are reduced significantly.

## LINKABLE WORK PROCESSES.

At every landfill site there are work steps that have to be carried out in the same sequence several times a day: Move forward, set dozer blade position, reverse, set dozer blade position... – how convenient that these procedures can be easily set, linked and stored. Result: up and running!

## CRUISE CONTROL FORWARD / REVERSE.

With the cruise control you can easily set working speeds for forward and reverse travel.

Clear: operation based on travel speed rather than revolutions results in maximum efficiency with intelligently adapted fuel consumption.

## BLADE STEPPER.

If the material is bulky and contains large objects, the blade constantly needs to be lifted and returned. The Blade Stepper is very practical in such cases: With this function on the joystick, the operator can save the starting position of the dozer blade and retrieve it again and again with the previously defined clicks. In this way, the dozer blade is positioned at exactly the height the operator previously defined.





Driver's cabin.



# INFORMATION: AS MUCH AS NECESSARY – AS LITTLE AS POSSIBLE.

No question: information is important. But too much of it only leads to confusion. That's why we have focused on what counts: a glare-free display, clearly arranged, and perfectly positioned in the driver's field of vision. The most important information is visible at a glance, further information can be added simply by clicking on the joystick.

When faults occur, our machines also speak plain language – directly on the display.

Every function can be controlled via the menu navigation – conveniently by joystick and, of course, in the local lan-

guage. Units of measurement can be displayed in either metric or imperial.

Regardless of whether it is the height of the dozer blade, the currently set direction of travel or the side tilt of the machine in critical situations – everything is clearly displayed. And right at the start of the workday, the operator can even call up how much operating time is possible with the remaining fuel in the tank.



Key information clearly visible at a glance.





Standart screen.



Temperatures in focus.



System info.



Fuel overview.



Stored values overview.



Error message in country language.



Rpm in focus.



Error message in country language.

The most important information for the operator is displayed on the main screen. However, situation-related additional data can be shown at any time controlled via the joystick. Even the readings of the machine control sys-

tem can be easily found and presented via the menu. Quite simply, optimum conditions for monitoring and analyzing the machine in the best possible way.



# SIMPLE MAINTENANCE IS FASTER AND LASTS LONGER.

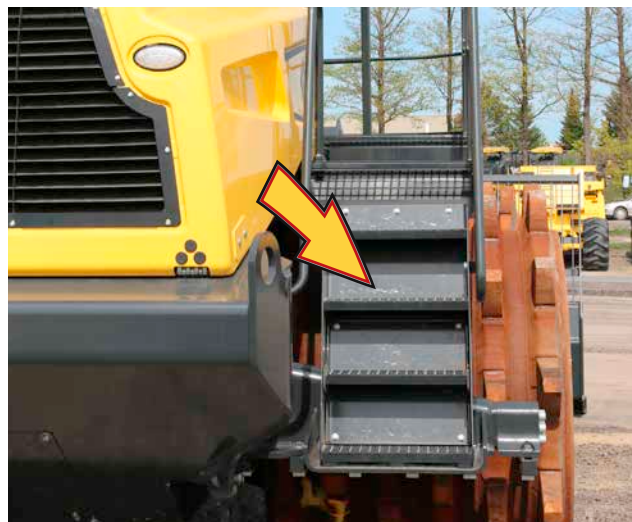
Maintenance means higher costs. That's why our goal is always to keep servicing costs to a minimum. To achieve this, an efficient arrangement of the components and the resulting easy accessibility are essential. Machine options also reduce running costs and allow easy maintenance on complex landfills.

Comes with the territory: the careful inspection of the machine. How nice when it's so simple. With BOMAG, the daily visual inspection can be carried out from the left-hand side of the machine in the direction of travel. The tedious walking around the machine is no longer necessary. The one-piece engine hood can be opened practically and conveniently – naturally with electric hydraulic operation. Simply press the button in the cabin – right next to the cabin door.

Also easily accessible: the intake area for cleaning the radiator. The maintenance openings for the air conditioning system are located right next to the opening for radiator cleaning. Thorough yet snappy – that's how maintenance is with us.



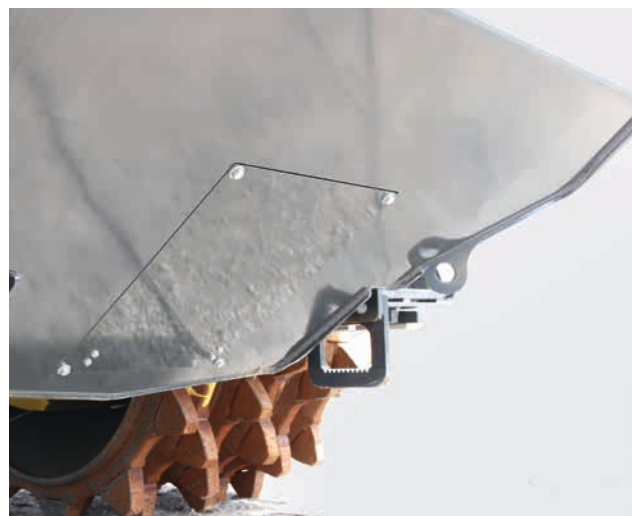
Access to the radiator and maintenance opening for the air conditioning unit.



Scraper access.



Direct access to the engine – accessible all around.



Access under the engine.



# SAVES TIME.

## ■ SERVICE PLATFORM.

The service platforms are located on both sides of the machine to facilitate access to the maintenance areas and are a valuable aid for fast and safe maintenance work.

## ■ CENTRAL LUBRICATION SYSTEM.

A central lubrication system supplies almost all mechanical bearing points. The container with agitator enables air-free delivery of the lubricant. Automatic interval function. The capacity of the grease container provides sufficient supply for up to 500 operating hours. A malfunction alarm guarantees the safe supply of the lubrication points.

## ■ REVERSIBLE COOLING FAN.

Automatic cleaning of the cooling system considerably reduces the cleaning effort and ensures that the maximum cooling power is always available.

## ■ WARRANTY EXTENSION AND MAINTENANCE CONTRACTS.

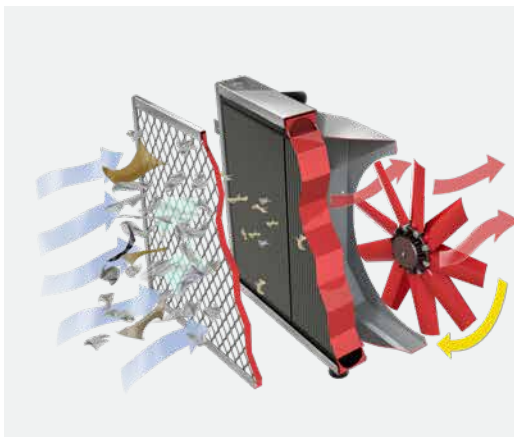
BOMAG Service tailors the available packages to individual requirements in order to fix operating costs over the long term. This protects customers from unforeseen costs for real added value.



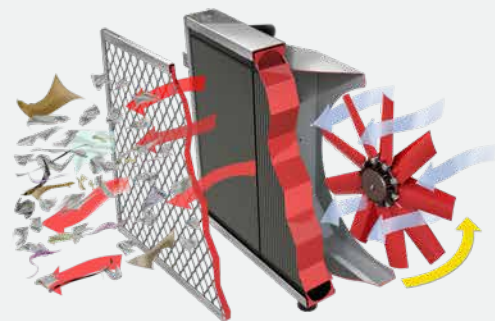
The service platform provides access to the maintenance area.



Smooth operation...



Normal operation.



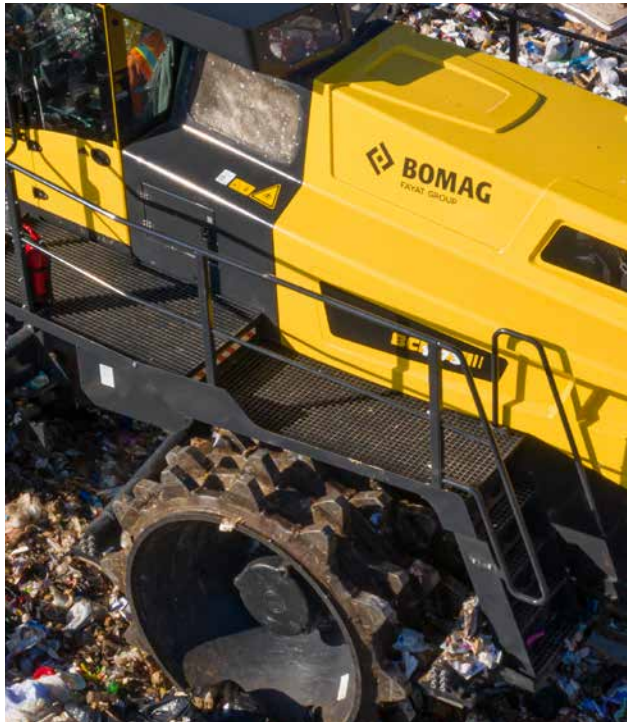
Reverse operation.



# SAFETY COMES AS STANDARD.

For BOMAG there is no room for compromise on safety. In their standard versions, BOMAG refuse compactors already meet all safety requirements for everyday use on

landfill sites. In addition, every compactor can be adapted to any job with a range of options. These compactors can be configured for all site requirements.



Open stairs and the platform structure keep things clean.



ROPS/FOPS cabin with all-round safety glass.



Rear camera system with colour display.



Mirrors optimally adjusted via electronic controls.



### CAB PROTECTION GRILLE AND REAR BUMPER.\*

\* optional



Rear bumper protects the rear of the bonnet from damage.



Cab protection grille protects damage to the cab windows.

### PROTECTIVE VENTILATION SYSTEM.\*

If you work with contaminated materials or the environment contains hazardous gases or dust, we offer an additional filter system. We also offer pre-fitting for working with other systems.

\* optional



Protective ventilation system.

### PRE-START CABIN HEATING\*.

The timer-controlled pre-start cabin heating ensures a warm cabin and a clear view through the windows on cold days.

\* optional



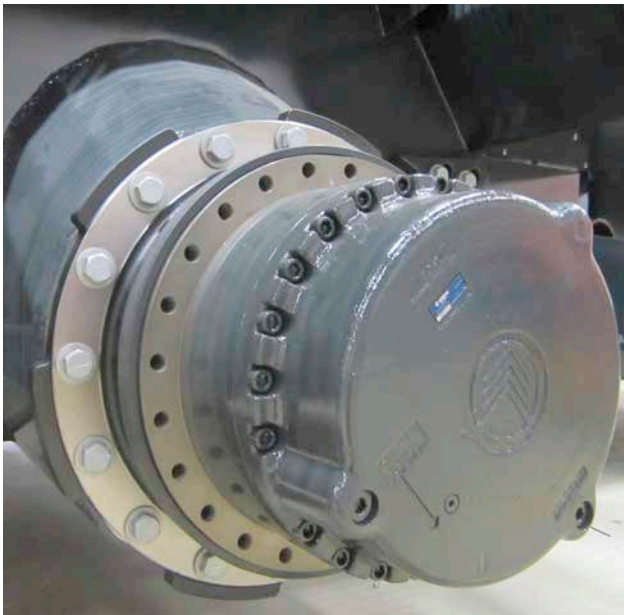
Airtronic auxiliary heater.



# COST REDUCTION AND DURABILITY.

By using the latest, well-designed components from reputable suppliers, BOMAG ensures that customers' financial goals are met, not only in the first few years, but over the entire life cycle of the machine. To maintain high efficiency in the long term, all components are protected by highly effective filter technology.

The filters do a great job of protecting your components and are themselves optimally shielded in the closed frame pan.



Final drives for continuous long-term operation.



Electronic monitoring of hydraulic return filter.



Hydraulic filter system.



A closed frame base provides the best protection for your investment.



# SERVICE, MAINTENANCE AND WARRANTY.

## YOU WANT:

High availability and a long life for your investment with minimum operating costs.

## OUR SOLUTION:

Save time and money with BOMAG spare parts and service products!

- Avoid expensive consequential damage due to alternative parts sourcing. Only BOMAG original spare parts meet the requirements for the quality and functionality of your refuse compactor.

- BOMAG cooling agents and lubricants meet the high requirements placed on our machine components and maximise maintenance cycles and component life.
- BOMAG Service Kits contain all the parts needed for professional maintenance in one package at attractive prices. It couldn't be simpler.

You can rely on BOMAG for service and spare parts to avoid unpleasant operating surprises.





# BOMAG TELEMATIC.

## YOUR MACHINE IS JUST A MOUSE CLICK AWAY.

BOMAG also supports customers in the back office. BOMAG TELEMATIC makes key machine data – e.g. operating hours and machine output – available at any time, regardless of the machine's location. BOMAG TELEMATIC monitors and manages the entire fleet. Customers always know where their machines are, how they are being used and when the next service is due. Alarms are generated automatically, e.g. if a machine leaves a defined construction site at an unscheduled time. BOMAG TELEMATIC also enables the detailed allocation of fuel costs and the planning and documentation of maintenance work. All recorded data can be tracked.

- **Maintenance scheduling:** The entire fleet at a glance. All services are centrally documented
- **Complete fuel monitoring:** BOMAG TELEMATIC provides precise information on actual fuel consumption.
- **Flexibility:** BOMAG TELEMATIC is the solution for the entire fleet: machines from other manufacturers can easily be integrated.





# MODEL OVERVIEW.



Model types	BC 873 RB-5	BC 973 RB-5	BC 1173 RB-5
Weight [t]*	41.3	47.9	56.6
Performance [kW/PS]	340 / 456	430 / 576	430 / 576
Emission stage	Stage V TIER IV final	Stage V TIER IV final	Stage V TIER IV final

\*Approximate operating weights with cabin in the basic configuration. Actual weights depend on equipment and accessories. Technical specifications subject to change. Machines may be shown with optional accessories.



# EFFICIENCY ALSO IN FUTURE.

The basis for a landfill's profitability is optimum capacity utilisation. This includes the best possible compaction of all waste materials. BOMAG refuse compactors achieve this effortlessly because they are designed for the special requirements of landfill sites. It is therefore no coincidence that our refuse compactors are deployed successfully all over the world. Whether at OVVD in Mecklenburg-Western Pomerania or, as

shown here, in Legoli, Italy, in Tuscany. Efficiency, economy, comfortable operation and excellent results are always important. No matter if it concerns household waste or mechanically or biologically pre-treated waste, our machines deliver top performance everywhere. This is what we stand for as your technology and service partner. Success always comes from teamwork.









Head Office:

**BOMAG**  
Hellerwald  
56154 Boppard  
GERMANY  
Tel. +49 6742 100-0  
info@bomag.com

**BOMAG Maschinen-  
handels-gesellschaft m.b.H.**

Klausenweg 654  
2534 Alland  
AUSTRIA  
Tel. +43 2258 20202  
austria@bomag.com

**BOMAG MARINI EQUIPAMENTOS LTDA.**

Avenida Clemente Cifali, 530  
Distrito Industrial Ritter  
Cachoeirinha – RS  
BRAZIL  
ZIP code 94935-225  
Tel. +55 51 2125-6642  
brasil@bomag.com

**BOMAG (CANADA), INC.**

2233 Argentia Road, East Tower  
Suites 302  
L5N 2X7 Mississauga, ON  
CANADA  
Tel. +1 800 782 6624  
canada@bomag.com

**BOMAG (CHANGZHOU)**

Construction Machinery Co., Ltd.  
No. 66 Bopa Road  
Xuejia Town  
Xinbei District  
Changzhou 213125  
CHINA  
Tel: +86 519 88585566  
china@bomag.com

**BOMAG India Pvt Ltd**

Unit No. 614, B Wing, 6th Floor  
Kanakia Wall Street  
Chakala Andheri Kurla Road Andheri East  
Mumbai 400 093 Maharashtra  
INDIA  
Tel.: +91 8657492418  
india@bomag.com

**BOMAG France S.A.S.**

2, Avenue du Général de Gaulle  
91170 Viry-Châtillon  
FRANCE  
Tel. +33 1 69578600  
france@bomag.com

**BOMAG (GREAT BRITAIN), LTD.**

Sheldon Way  
Larkfield, Aylesford  
Kent ME20 6SE  
GREAT BRITAIN  
Tel. +44 1622 716611  
gb@bomag.com

**BOMAG Italia**

Via Roma 50  
48011 Alfonsine  
ITALY  
Tel. +39 0544 864235  
italy@bomag.com

**FAYAT BOMAG Polska Sp. z o.o.**

Ul. Szyszkowa 52  
02-285 Warszawa  
POLAND  
Tel. +48 22 482 04 00  
poland@bomag.com

**FAYAT BOMAG RUS OOO**

141400, RF, Moscow region  
Khimki, Klayazma block, h. 1-g  
RUSSIA  
Tel. +7 (495) 287 92 90  
russia@bomag.com

**BOMAG GmbH**

300 Beach Road  
The Concourse, #18-06  
Singapore 199555  
SINGAPORE  
Tel. +65 6 294 1277  
singapore@bomag.com

**BOMAG Americas, Inc.**

125 Blue Granite Parkway  
Ridgeway SC 29130  
U.S.A.  
Tel. +1 803 3370700  
usa@bomag.com

