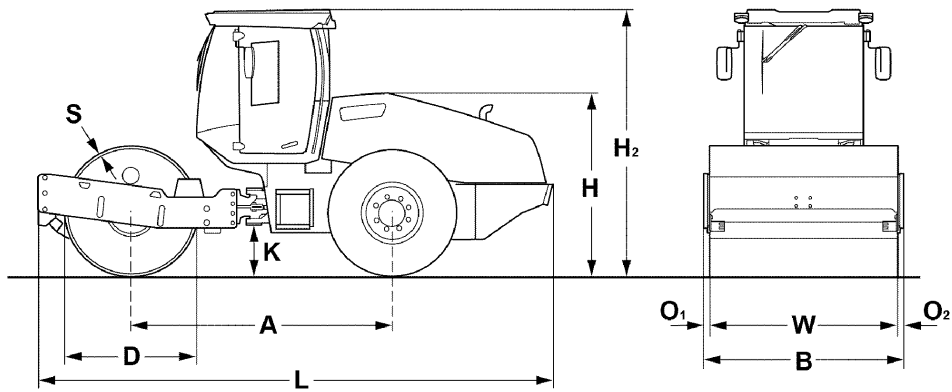


TECHNICAL DATA

SINGLE DRUM ROLLERS

BW 213 D-5 SL, BW 213 PD-5 SL





Dimensions in mm

	A	B	D	H	H2	K	L	O1	O2	S	W
BW 213 D-5 SL	2975	2260	1500	2240	3053	530	5870	65	65	35	2130
BW 213 PD-5 SL	2975	2260	1480	2240	3053	530	5870	65	65	25	2130

Shipping dimensions in m3

BW 213 D-5 SL
 BW 213 PD-5 SL

without ROPS

29,716
 29,716

with ROPS

40,502
 40,502

Machine type	Compaction output (m3/h)			
	Rock fill	Gravel, sand	Mixed soil	Silt, clay
BW 213 D-5 SL	400-800	270-540	220-440	110-220
BW 213 PD-5 SL	400-800	270-540	220-440	160-320

Machine type	Compacted layer thickness (m)			
	Rock fill	Gravel, sand	Mixed soil	Silt, clay
BW 213 D-5 SL	0,70	0,50	0,40	0,20
BW 213 PD-5 SL	0,70	0,50	0,40	0,25

Technical Data**BOMAG
BW 213 D-5 SL****BOMAG
BW 213 PD-5 SL****Weights**

Grossweight	kg	14.270	13.320
Operating weight	kg	11.960	12.660
Operating weight CECE w. ROPS-cabin	kg	12.470	13.170
Axle load, drum CECE	kg	7.880	8.580
Axle load, wheels CECE	kg	4.590	4.590
Static linear load CECE	kg/cm	37,0	

Dimensions

Working width	mm	2.130	2.130
Track radius, inner	mm	3.677	3.677

Driving Characteristics

Speed (1)	km/h	0- 6,0	0- 6,0
Speed (2)	km/h	0- 11,0	0- 12,0
Max. gradeability without/with vibr.	%	45/43	45/43

Drive

Engine manufacturer		Deutz	Deutz
Type		TCD 2012 L04 2V	TCD 2012 L04 2V
Emission stage		Stage IIIa / TIER3	Stage IIIa / TIER3
Cooling		Liquid	Liquid
Number of cylinders		4	4
Performance ISO 3046	kW	103,0	103,0
Performance SAE J 1995	hp	140,0	140,0
Speed	min-1	2.400	2.400
Fuel		Diesel	Diesel
Electric equipment	V	12	12
Drive system		hydrost.	hydrost.
Drum driven		standard	standard

Drums and Tyres

Number of pad feet			150
Area of one pad foot	cm2		137
Height of pad feet	mm		100
Tyre size		23.1-26 12PR	23.1-26 12PR

Brakes

Service brake		hydrost.	hydrost.
Parking brake		hydromec.	hydromec.

Steering

Steering system		oscil.artic.	oscil.artic.
Steering method		hydrost.	hydrost.
Steering / oscillating angle +/-	grad	35/12	35/12

Exciter system

Drive system		hydrost.	hydrost.
Frequency	Hz	30/36	30/36
Amplitude	mm	1,90/0,96	1,70/0,86
Centrifugal force	kN	275/202	275/202
Centrifugal force	t	28,1/20,6	28,1/20,6

Capacities

Fuel	l	250,0	250,0
------------	---	-------	-------

Technical modifications reserved. Machines may be shown with options.

Standard Equipment

- Self locking differential
- Rear axle with twin spring accumulator brakes
- Hydrostatic travel and vibration drive
- Hydrostatic articulated steering
- Articulated joint lock
- Battery disconnect switch
- Single lever control for travel and vibration
- Warning, information and operation displays with LCD
- Emergency STOP
- Back-up alarm
- 1 Scrapers
- Operator seat
- Warning horn

Optional Equipment

- ROPS/FOPS cabin with seat belts
- ROPS/FOPS with safety belt
- Air condition
- Rotary beacon
- Indicator and hazard lights
- ECONOMIZER
- TERRAMETER
- BOMAG TELEMATIC POWER
- Padfoot segment kit (D)
- Measuring- and machine data interface for third-party suppliers
- Comfort driver's seat
- Contact scrapers (2x)
- Sun roof
- BOMAP
- Tablet holder set
- BOMAP GPS antenna set
- BOMAP GPS antenna holder
- JOBLINK measuring technology interface

